

# AIR HCT SERİSİ



\*Ürün açıları ayarlanabilir tip alüminyum pervane yapısına sahiptir.

\*Elektrostatik toz boyalı korozyona karşı dayanıklıdır.

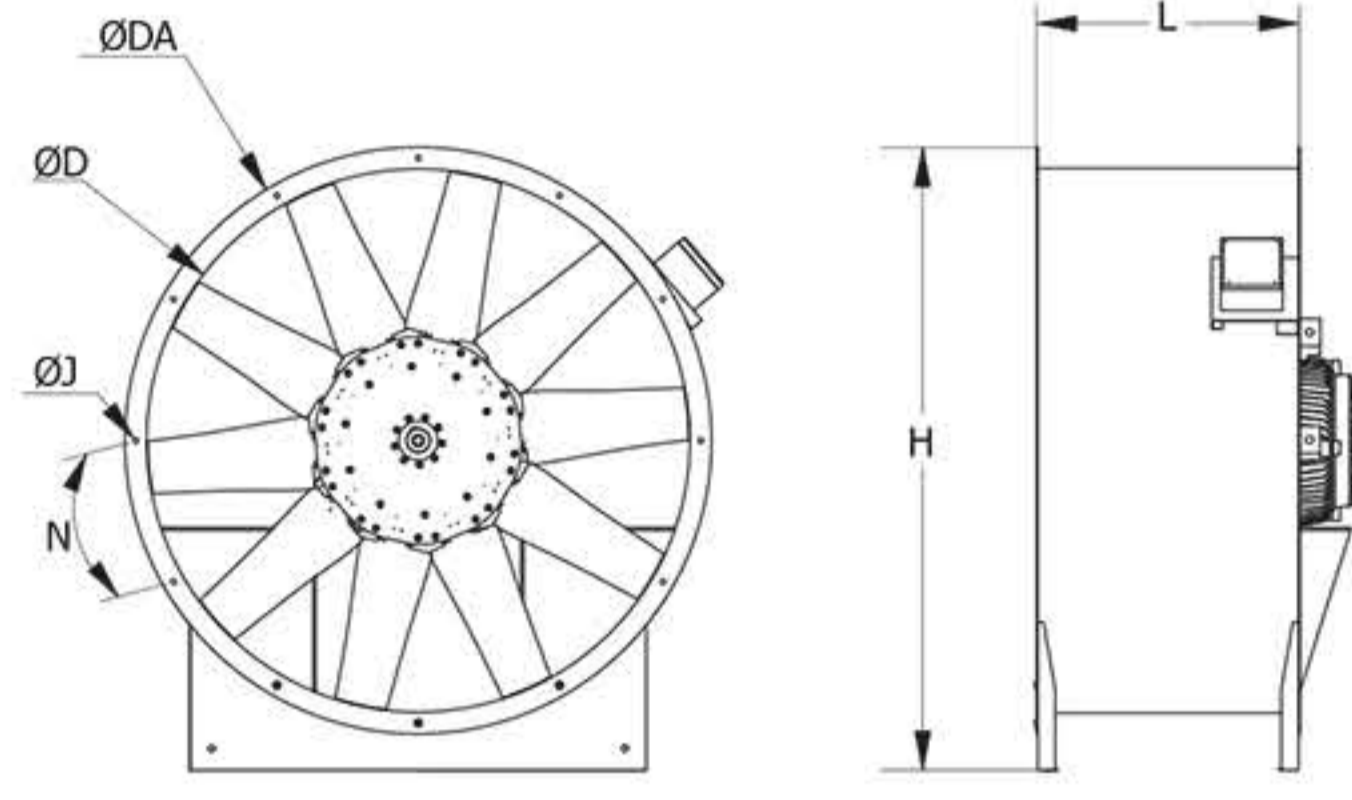
\*Frekans inverter ile sürülmeye uygundur.

\*Ürünler komple ATEX sertifikalıdır.

\* Exproof üretim sınıfı EX IIG IIC T4'tür.

\*Kullanım şekli; kanala montaja uygundur.Dış ortamda kullanılmaya uygundur.

## Teknik Detaylar;



| MODELLER         | CİHAZ ÖLÇÜLERİ (mm) |      |     |      |    |          |
|------------------|---------------------|------|-----|------|----|----------|
|                  | ØD                  | ØDA  | L   | H    | ØJ | N        |
| AIR HCT 31-2-4T  | 315                 | 415  | 330 | 505  | 14 | 8x45°    |
| AIR HCT 35-2-4T  | 355                 | 455  | 330 | 545  | 14 | 8x45°    |
| AIR HCT 40-2-4T  | 400                 | 500  | 330 | 590  | 14 | 8x45°    |
| AIR HCT 45-2-4T  | 450                 | 550  | 330 | 640  | 14 | 8x45°    |
| AIR HCT 63-2-4T  | 630                 | 730  | 500 | 820  | 14 | 12x30°   |
| AIR HCT 71-2-4T  | 710                 | 810  | 500 | 900  | 14 | 12x30°   |
| AIR HCT 80-2-4T  | 800                 | 900  | 500 | 990  | 14 | 12x30°   |
| AIR HCT 90-2-4T  | 900                 | 1000 | 600 | 1090 | 14 | 16x22,5° |
| AIR HCT 100-2-4T | 1000                | 1100 | 600 | 1190 | 14 | 16x22,5° |
| AIR HCT 112-2-4T | 1120                | 1220 | 600 | 1310 | 14 | 16x22,5° |

| MODEL              | ÜRÜN KODU | Debi (m³/h) | GÜÇ (KW) | SES (dBA) | AKIM (AMP) | DEVİR (RPM) | VOLTAJ (V) | AĞIRLIK (KG) |
|--------------------|-----------|-------------|----------|-----------|------------|-------------|------------|--------------|
| zT 31-2T-0,18      | 15001     | 3157        | 0,18     | 85        | 0,65       | 2785        | 380        | 20           |
| AIR HCT 31-2T-0,25 | 15002     | 3740        | 0,25     | 86        | 0,70       | 2755        | 380        | 21           |
| AIR HCT 35-2T-0,37 | 15003     | 4664        | 0,37     | 83        | 1,10       | 2760        | 380        | 23           |
| AIR HCT 40-2T-0,55 | 15004     | 5962        | 0,55     | 91        | 1,45       | 2760        | 380        | 27           |
| AIR HCT 40-2T-0,75 | 15005     | 7315        | 0,75     | 88        | 1,85       | 2800        | 380        | 30           |
| AIR HCT 45-2T-0,75 | 15006     | 8459        | 0,75     | 95        | 1,85       | 2800        | 380        | 32           |
| AIR HCT 45-2T-1,1  | 15007     | 12100       | 1,10     | 92        | 2,60       | 2790        | 380        | 33           |
| AIR HCT 45-2T-1,5  | 15008     | 12100       | 1,50     | 91        | 3,25       | 2865        | 380        | 36           |
| AIR HCT 45-2T-2,2  | 15009     | 14740       | 2,20     | 94        | 4,75       | 2875        | 380        | 38           |
| AIR HCT 63-2T-2,2  | 15010     | 19800       | 2,20     | 97        | 4,75       | 2875        | 380        | 50           |
| AIR HCT 63-2T-3    | 15011     | 22000       | 3,00     | 96        | 6,45       | 2875        | 380        | 57           |
| AIR HCT 63-2T-4    | 15012     | 26070       | 4,00     | 96        | 7,50       | 2865        | 380        | 64           |
| AIR HCT 71-2T-5,5  | 15013     | 33880       | 5,50     | 99        | 9,80       | 2890        | 380        | 70           |
| AIR HCT 71-2T-7,5  | 15014     | 39270       | 7,50     | 100       | 13,60      | 2910        | 380        | 74           |
| AIR HCT 71-2T-11   | 15015     | 45650       | 11,00    | 101       | 19,50      | 2945        | 380        | 80           |
| AIR HCT 35-4T-0,12 | 15016     | 3729        | 0,12     | 71        | 0,65       | 1380        | 380        | 21           |
| AIR HCT 40-4T-0,18 | 15017     | 5181        | 0,18     | 73        | 0,75       | 1330        | 380        | 24           |
| AIR HCT 40-4T-0,25 | 15018     | 5544        | 0,25     | 76        | 1,05       | 1320        | 380        | 25           |
| AIR HCT 45-4T-0,37 | 15019     | 7766        | 0,37     | 80        | 1,35       | 1425        | 380        | 29           |
| AIR HCT 45-4T-0,55 | 15020     | 8822        | 0,55     | 79        | 1,50       | 1690        | 380        | 31           |
| AIR HCT 63-4T-1,1  | 15021     | 15290       | 1,10     | 85        | 2,80       | 1705        | 380        | 50           |
| AIR HCT 63-4T-1,5  | 15022     | 20350       | 1,50     | 86        | 3,55       | 1700        | 380        | 52           |
| AIR HCT 63-4T-2,2  | 15023     | 22990       | 2,20     | 89        | 4,90       | 1715        | 380        | 59           |
| AIR HCT 71-4T-3    | 15024     | 29590       | 3,00     | 91        | 7,70       | 1710        | 380        | 68           |
| AIR HCT 71-4T-4    | 15025     | 32340       | 4,00     | 93        | 8,50       | 1735        | 380        | 72           |
| AIR HCT 80-4T-3    | 15026     | 35200       | 3,00     | 91        | 6,60       | 1435        | 380        | 76           |
| AIR HCT 80-4T-4    | 15027     | 40040       | 4,00     | 93        | 8,20       | 1455        | 380        | 80           |
| AIR HCT 80-4T-5,5  | 15028     | 43120       | 5,50     | 95        | 11,20      | 1465        | 380        | 92           |
| AIR HCT 90-4T-3    | 15029     | 38500       | 3,00     | 96        | 6,60       | 1435        | 380        | 94           |
| AIR HCT 90-4T-4    | 15030     | 45320       | 4,00     | 96        | 8,20       | 1455        | 380        | 98           |
| AIR HCT 90-4T-5,5  | 15031     | 47410       | 5,50     | 95        | 11,20      | 1465        | 380        | 110          |
| AIR HCT 90-4T-7,5  | 15032     | 55110       | 7,50     | 101       | 15,40      | 1465        | 380        | 120          |
| AIR HCT 100-4T-5,5 | 15033     | 55330       | 5,50     | 97        | 11,20      | 1465        | 380        | 118          |
| AIR HCT 100-4T-7,5 | 15034     | 62480       | 7,50     | 99        | 15,40      | 1465        | 380        | 128          |
| AIR HCT 112-4T-5,5 | 15035     | 59070       | 5,50     | 102       | 11,20      | 1465        | 380        | 127          |
| AIR HCT 112-4T-7,5 | 15036     | 75680       | 7,50     | 100       | 15,40      | 1465        | 380        | 139          |