

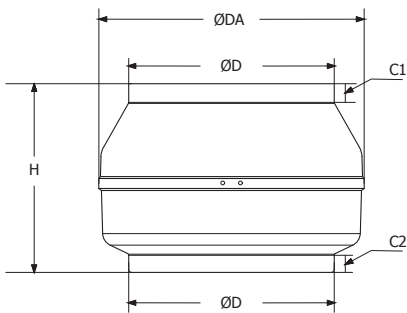
DUCT TYPE RADIAL FAN

WK SERIES

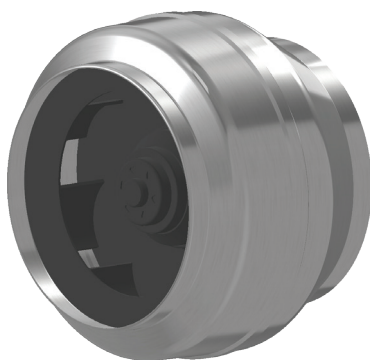


- *Radial type of impeller with backward curve.
- *All series are single phase motor 230 V. Built-in motor protection.
- *Can be installed in any position
- *Can be installed outdoors
- *Maintenance-free and reliable
- *The WK series is designed for installation in ducts. To simplify the installation the WK-fan has a fixing bracket together with screws for mounting the bracket included as standard.
- *The fans have backward-curved blades and external rotor motors.
- *The casing is manufactured from galvanised sheet steel.
- *The WK fans is resistant to corrosion.

Technical details;



MODEL	PRODUCT CODE	Airflow (m ³ /h)	PWR (KW)	Sound (dBA)	Current (AMP)	Rotation (RPM)	VOLTAGE (V)	Weight (KG)
WK 100	13001	320	60	44	0,30	2610	230	3
WK 125	13002	450	80	43	0,40	2325	230	2,7
WK 150	13003	600	78	46	0,40	2450	230	3
WK 200	13004	1200	100	48	0,51	2530	230	4,8
WK 250	13005	1800	145	47	0,74	2650	230	5,3
WK 315	13006	2290	180	49	0,87	2500	230	6,9



MODELS	DIMENSIONS(mm)				
	ØDA	ØD	C1	C2	H
WK 100	245	97	20	20	197
WK 125	245	122	20	20	188
WK 150	272	147	23	25	192
WK 200	330	196	30	28	230
WK 250	330	247	30	28	227
WK 315	400	313	30	30	285