

## RADIAL TYPE ROOF FAN VERTICAL AIR OUTLET

# VKV SERIES



\*The case and impeller is made of self-supporting galvanized sheet metal frame construction with high impact resistant .

\*Air stream vertical , centrifugal impeller with backward curved blades.

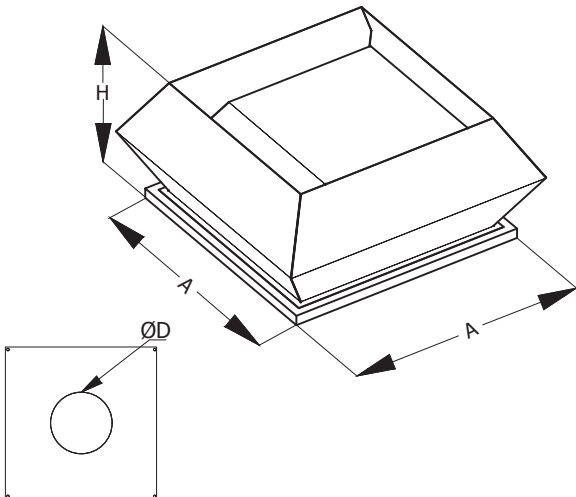
\*Suitable for operating temperatures of up to 55 °C / steady .

\*External rotor motor supports long term operations

\*220v and 380v optional motor selections

\*Resistant coated corrosion.

### Technical details;



| MODELS  | DIMENSIONS (mm) |     |     |
|---------|-----------------|-----|-----|
|         | ØD              | H   | A   |
| VKV 190 | 125             | 300 | 450 |
| VKV 225 | 146             | 330 | 450 |
| VKV 250 | 162             | 330 | 500 |
| VKV 280 | 182             | 340 | 500 |
| VKV 355 | 239             | 360 | 540 |
| VKV 400 | 256             | 420 | 560 |
| VKV 450 | 288             | 450 | 620 |
| VKV 500 | 324             | 530 | 670 |
| VKV 560 | 388             | 570 | 700 |

| MODEL   | PRODUCT CODE | Airflow (m³/h) | PWR (KW) | Sound (dBA) | Current (AMP) | Rotation (RPM) | VOLTAGE (V) | Weight (KG) |
|---------|--------------|----------------|----------|-------------|---------------|----------------|-------------|-------------|
| VKV 190 | 38001        | 500            | 80       | 52          | 0.035         | 2400           | 230         | 15          |
| VKV 225 | 38002        | 1000           | 100      | 54          | 0.046         | 2650           | 230         | 16          |
| VKV 250 | 38003        | 1400           | 155      | 54          | 0.72          | 2600           | 230         | 18          |
| VKV 280 | 38004        | 1850           | 200      | 55          | 0.89          | 2600           | 230         | 22          |
| VKV 355 | 38005        | 3100           | 200      | 55          | 0.82          | 1650           | 230         | 26          |
| VKV 400 | 38006        | 4300           | 275      | 60          | 1.39          | 1650           | 230         | 31          |
| VKV 450 | 38007        | 5750           | 390      | 62          | 1.97          | 1600           | 230         | 38          |
| VKV 500 | 38008        | 8200           | 780      | 64          | 3.5           | 1280           | 230         | 48          |
| VKV 560 | 38009        | 11000          | 1150     | 66          | 2.3           | 1350           | 380         | 61          |