

RADIAL TYPE ROOF FAN

VKH SERIES



*The case is made of self-supporting galvanized sheet metal frame construction with high impact resistant .

* Centrifugal impeller with backward curved blades.

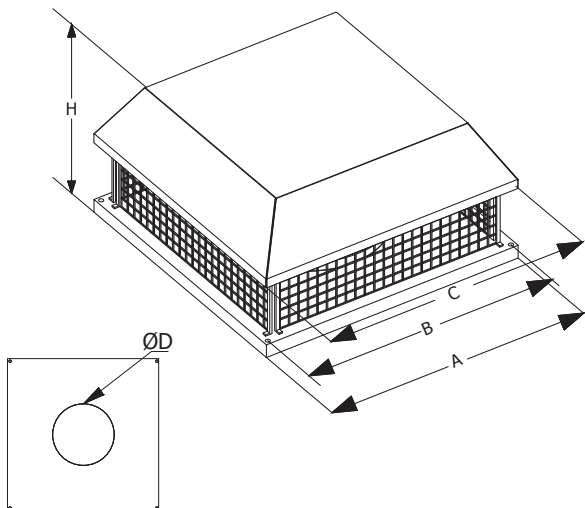
* EC motor option is also available.

* 230V products have speed control option.
380V products are suitable for frequency invertors.

*Suitable for outdoor use.

*Standard bird quard included.

Technical details;



MODELS	DIMENSIONS (mm)				
	ØD	H	A	B	C
VKH 190	125	250	350	300	400
VKH 225	146	280	350	300	400
VKH 250	162	280	400	350	450
VKH 280	182	390	400	350	450
VKH 355	239	320	540	490	590
VKH 400	256	370	560	510	610
VKH 450	288	400	620	570	670
VKH 500	324	480	670	620	720
VKH 560	388	520	700	650	750

MODEL	PRODUCT CODE	Airflow (m³/h)	PWR (KW)	Sound (dBA)	Current (AMP)	Rotation (RPM)	VOLTAGE (V)	Weight (KG)
VKH 190	31001	500	80	52	0.04	2400	230	10
VKH 225	31002	1000	100	54	0.05	2650	230	11
VKH 250	31003	1400	155	54	0.72	2600	230	13
VKH 280	31004	1850	200	55	0.89	2600	230	17
VKH 355	31005	3100	200	55	0.82	1650	230	21
VKH 400	31006	4300	275	60	1.39	1650	230	26
VKH 450	31007	5750	390	62	1.97	1600	230	33
VKH 500	31008	8200	780	64	3.50	1280	230	43
VKH 560	31009	11000	1150	66	2.30	1350	380	56