

INLINE MIXED FLOW FAN

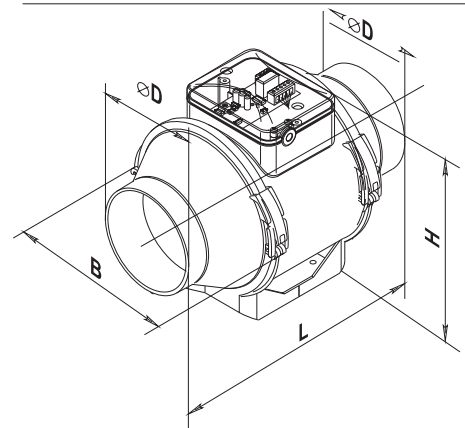
TT SERIES



- * Duct type mixed flow fans with ABS plastic body and impeller.
- * All series are single phase motor 230 V. With double speed motor.
- * Can be installed in any position
- * Maintenance-free and reliable
- * The TT series is designed for installation in ducts. The casing is manufactured from PP fibreglass reinforced plastic which gives the fan a less leakage casing.
- * The fans have backward-curved blades and external rotor motors.
- * Low sound level.

MODEL	PRODUCT CODE	Airflow (m³/h)	PWR (KW)	Sound (dBA)	Current (AMP)	Rotation (RPM)	VOLTAGE (V)	Weight (KG)
TT 100	14001	190	33	36 /27	0,21	2500	230	1,45
TT PRO 100	14002	245	25	32 /27	0,11	2500	230	1,75
TT 125	14003	280	37	37 /28	0,27	2500	230	1,35
TT PRO 125	14004	350	30	34 /28	0,13	2500	230	2,15
TT 150	14005	550	30	44 /33	0,27	2500	230	2,65
TT PRO 200	14006	1040	108	52 /45	0,48	2500	230	3,95
TT PRO 250	14007	1400	117	55 /47	0,79	2500	230	7,80
TT PRO 315	14008	2350	320	58 /49	1,42	2500	230	11,95

Technical details;



MODELS	DIMENSIONS(mm)			
	ØD	B	H	L
TT 100	96	167	190	246
TT PRO 100	97	196	26	303
TT 125	123	167	190	246
TT PRO 125	123	196	226	286
TT 150	146	223	250	295
TT PRO 200	199	239	261	296
TT PRO 250	247	287	323	383
TT PRO 315	310	362	408	445

