

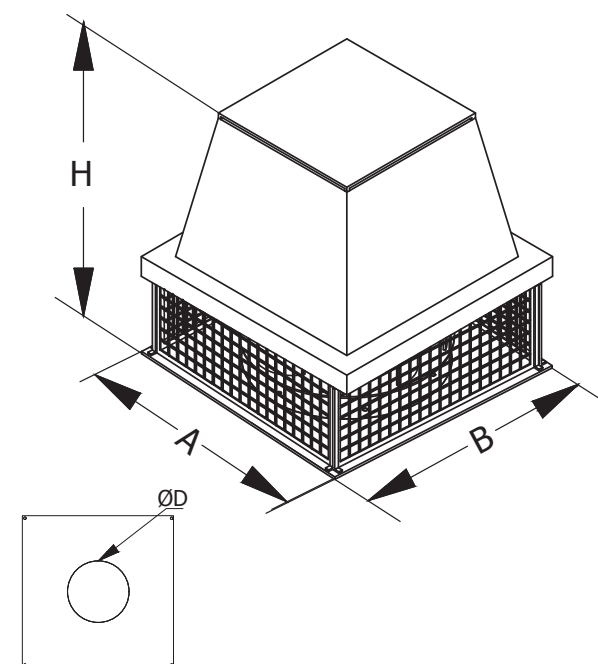
ROOF FAN WITH HORIZONTAL AIR OUTLET

RCD- Y SERIES



- *The case is made of self-supporting galvanized sheet metal frame construction with high impact resistant .
- *Horizontal air stream with centrifugal impeller with backward curved blades.
- *Suitable for operating temperatures of up to 120 °C steady .
- *The motors is out from the air stream, protection rating IP 44.
- *The motor is speed controllable by frequency converter.
- *Resistant coated corrosion.
- *Efficiency class is IE3 ,Three-phase 230/400 V 50 Hz

Technical details;



MODELS	DIMENSIONS (mm)			
	ØD	A	B	H
RCD-Y 315-2T-1,1	200	400	400	420
RCD-Y 355-2T-2,2	230	480	480	600
RCD-Y 400-2T-4	255	600	600	700
RCD-Y 450-2T-7,5	290	600	600	950
RCD-Y 315-4T-0,37	200	400	400	370
RCD-Y 355-4T-0,37	230	480	480	580
RCD-Y 400-4T-0,55	255	600	600	700
RCD-Y 450-4T-0,75	290	600	600	700
RCD-Y 500-4T-1,5	325	700	700	850
RCD-Y 560-4T-3	365	700	700	950
RCD-Y 630-4T-5,5	410	820	820	1150
RCD-Y 710-4T-7,5	460	1100	1100	1400
RCD-Y 710-4T-11	460	1100	1100	1400
RCD-Y 800-4T-15	510	1200	1200	1400
RCD-Y 800-4T-18,5	510	1200	1200	1500
RCD-Y 900-4T-22	610	1300	1300	1500
RCD-Y 1000-4T-37	660	1400	1400	1600

MODEL	PRODUCT CODE	Airflow (m³/h)	PWR (KW)	Sound (dBA)	Current (AMP)	Rotation (RPM)	VOLTAGE (V)	Weight (KG)
RCD-Y 315-2T-1,1	35001	4500	1,10	96	2,3	2900	380	32
RCD-Y 355-2T-2,2	35002	6980	2,20	97	4,5	2900	380	50
RCD-Y 400-2T-4	35003	9800	4,00	100	7,9	2920	380	90
RCD-Y 450-2T-7,5	35004	13800	7,50	98	13,6	2925	380	132
RCD-Y 315-4T-0,37	35005	2450	0,37	82	1,2	1390	380	29
RCD-Y 355-4T-0,37	35006	3650	0,37	81	1,2	1390	380	42
RCD-Y 400-4T-0,55	35007	4550	0,55	84	1,6	1385	380	60
RCD-Y 450-4T-0,75	35008	6600	0,75	82	1,7	1445	380	76
RCD-Y 500-4T-1,5	35009	9180	1,50	86	3,5	1449	380	88
RCD-Y 560-4T-3	35010	13300	3,00	95	6,2	1446	380	105
RCD-Y 630-4T-5,5	35011	18000	5,50	98	10,6	1467	380	141
RCD-Y 710-4T-7,5	35012	27200	7,50	102	15,2	1467	380	158
RCD-Y 710-4T-11	35013	28150	11,00	101	21,0	1470	380	180
RCD-Y 800-4T-15	35014	37900	15,00	102	30,9	1477	380	220
RCD-Y 800-4T-18,5	35015	39350	18,50	103	39,5	1474	380	260
RCD-Y 900-4T-22	35016	52300	22,00	105	41,6	1475	380	295
RCD-Y 1000-4T-37	35017	71650	37,00	108	68,6	1475	380	395