

ROOF FAN WITH VERTICAL AIR OUTLET

RCD-D SERIES



*The case is made of self-supporting galvanized sheet metal frame construction with high impact resistant .

*Vertical air stream , centrifugal impeller with backward curved blades.

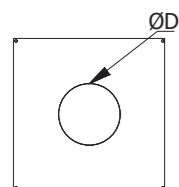
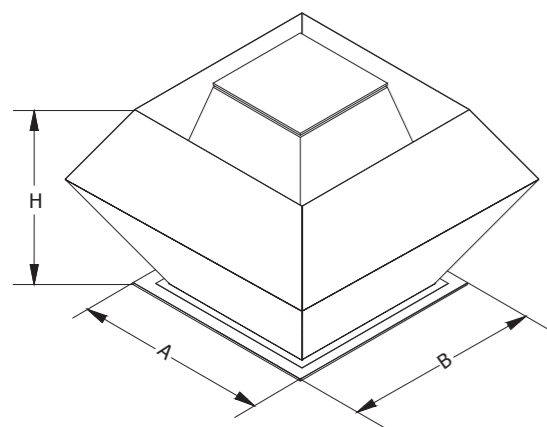
*Suitable for operating temperatures of up to 120 °C steady. The motors is out from the air stream, protection rating IP 44.

*The motor is speed controllable by frequency converter.

*Resistant coated corrosion.

*Efficiency class is IE3. Three-phase 230/400 V 50 Hz

Technical details;



MODELS	DIMENSIONS (mm)			
	ØD	A	B	H
RCD-D 315-2T-1,1	200	500	500	500
RCD-D 355-2T-2,2	230	600	600	700
RCD-D 400-2T-4	255	700	700	800
RCD-D 450-2T-7,5	290	700	700	1000
RCD-D 315-4T-0,37	200	500	500	500
RCD-D 355-4T-0,37	230	600	600	700
RCD-D 400-4T-0,55	255	700	700	800
RCD-D 450-4T-0,75	290	700	700	800
RCD-D 500-4T-1,5	325	800	800	950
RCD-D 560-4T-3	365	800	800	1000
RCD-D 630-4T-5,5	410	900	900	1200
RCD-D 710-4T-7,5	460	1100	1100	1400
RCD-D 710-4T-11	460	1100	1100	1400
RCD-D 800-4T-15	510	1200	1200	1400
RCD-D 800-4T-18,5	510	1300	1300	1500
RCD-D 900-4T-22	610	1400	1400	1500
RCD-D 1000-4T-37	660	1400	1400	1600

MODEL	PRODUCT CODE	Airflow (m³/h)	PWR (KW)	Sound (dBA)	Current (AMP)	Rotation (RPM)	VOLTAGE (V)	Weight (KG)
RCD-D 315-2T-1,1	36001	4500	1,10	96	2,3	2900	380	32
RCD-D 355-2T-2,2	36002	6980	2,20	97	4,5	2900	380	50
RCD-D 400-2T-4	36003	9800	4,00	100	7,9	2920	380	90
RCD-D 450-2T-7,5	36004	13800	7,50	98	13,6	2925	380	132
RCD-D 315-4T-0,37	36005	2450	0,37	82	1,2	1390	380	29
RCD-D 355-4T-0,37	36006	3650	0,37	81	1,2	1390	380	42
RCD-D 400-4T-0,55	36007	4550	0,55	84	1,6	1385	380	60
RCD-D 450-4T-0,75	36008	6600	0,75	82	1,7	1445	380	76
RCD-D 500-4T-1,5	36009	9180	1,50	86	3,5	1449	380	88
RCD-D 560-4T-3	36010	13300	3,00	95	6,2	1446	380	105
RCD-D 630-4T-5,5	36011	18000	5,50	98	10,6	1467	380	141
RCD-D 710-4T-7,5	36012	27200	7,50	102	15,2	1467	380	158
RCD-D 710-4T-11	36013	28150	11,00	101	21,0	1470	380	180
RCD-D 800-4T-15	36014	37900	15,00	102	30,9	1477	380	220
RCD-D 800-4T-18,5	36015	39350	18,50	103	39,5	1474	380	260
RCD-D 900-4T-22	36016	52300	22,00	105	41,6	1475	380	295
RCD-D 1000-4T-37	36017	71650	37,00	108	68,6	1475	380	395