

MULTI BOX FAN

MFB SERIES



- ❖ Corrosion-resistant painted chassis and double-skin galvanized panels for high durability
- ❖ High efficiency with backward-curved, plug fan design
- ❖ Low noise levels thanks to 25 mm thick insulated panels
- ❖ Easy airflow direction changes with modular panel construction
- ❖ Speed Controller option for 220 v models and frequency inverter option for 380 v models.
- ❖ Filter configuration is optional.
- ❖ EC motor option available

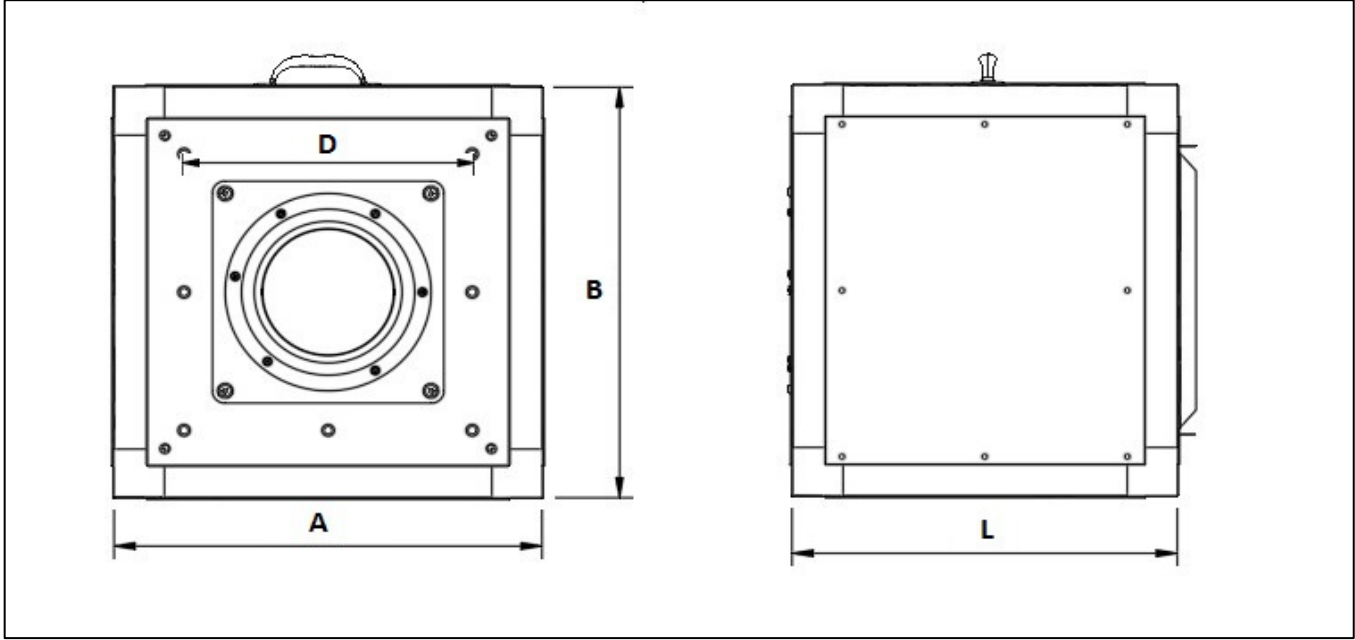
MODEL	PRODUCT CODE	FLOW (m ³ /h)	POWER (Watt)	NOISE LEVEL (dBA)	CURRENT (AMP)	ROTATION (RPM)	VOLTAGE (V)
MFB 190	66001	600	60	53	0,30	2300	230
MFB 225	66002	1400	150	61	0,65	2680	230
MFB 250	66003	1550	200	66	0,90	2650	230
MFB 280	66004	1900	250	69	1,10	2500	230
MFB 280-B	66004-B	2400	345	69	1,50	2700	230
MFB 355	66005	2700	210	51	1,00	1400	230
MFB 400	66006	4300	400	54	1,80	1380	230
MFB 450	66007	6100	800	56	2,50	1320	230
MFB 500	66008	7600	1550	82	6,80	1380	230
MFB 560	66009	11000	1850	83	3,60	1200	380



PRODEK

Endüstriyel Fan Sistemleri

MULTI BOX FAN



MODELLER	DIMENSIONS (mm)			
	#D	A	B	L
MFB 190	275	400	400	200
MFB 225	325	450	450	250
MFB 250	375	500	500	250
MFB 280	375	500	500	250
MFB 280-B	425	550	550	300
MFB 355	475	600	600	300
MFB 400	475	600	600	400
MFB 450	525	650	650	450
MFB 500	575	700	700	450
MFB 560	650	800	800	500