

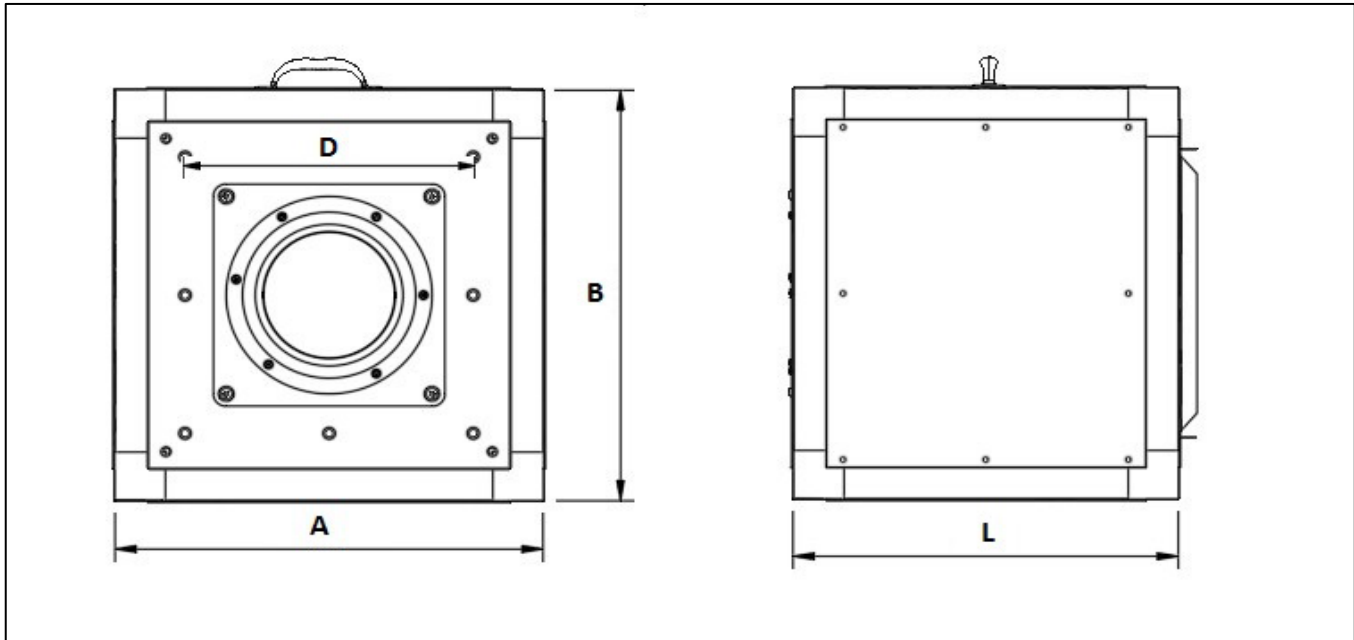
# MFB EC SERIES



- ❖ Corrosion-resistant painted chassis and double-skin galvanized panels for high durability
- ❖ High efficiency with backward-curved, plug fan design
- ❖ Low noise levels thanks to 25 mm thick insulated panels
- ❖ Easy airflow direction changes with modular panel construction
- ❖ Filter configuration is optional
- ❖ High efficiency with EC MOTOR, operating capability within 010 V control range

MODEL	PRODUCT CODE	FLOW (m <sup>3</sup> /h)	POWER (Watt)	NOISE LEVEL (dBA)	CURRENT (AMP)	ROTATION (RPM)	VOLTAGE (V)
MFB 190-0,7-EC	95001	980	250	74	1,20	4490	230
MFB 225-0,3-EC	95002	2050	450	70	3,00	3600	230
MFB 250-0,3-EC	95003	2600	550	69	3,50	3000	230
MFB 250-07-EC	95004	3300	1000	74	4,40	3800	230
MFB 315-0,7-EC	95005	4200	800	71	4,80	2400	230
MFB 315-1,5-EC	95006	5800	1850	78	3,00	3250	380
MFB 355-1,6-EC	95007	6500	1700	81	2,70	2650	380
MFB 450-1,6-EC	95008	9000	1800	88	2,80	1800	380

**MULTI BOX FAN w/EC MOTOR**



MODELLER	DIMENSIONS (mm)			
	#D	A	B	L
MFB 190-0,7-EC	275	400	400	300
MFB 225-0,3-EC	325	450	450	350
MFB 250-0,3-EC	375	500	500	350
MFB 250-07-EC	375	500	500	350
MFB 315-0,7-EC	425	550	550	400
MFB 315-1,5-EC	475	600	600	400
MFB 355-1,6-EC	475	600	600	450
MFB 450-1,6-EC	525	650	650	550