

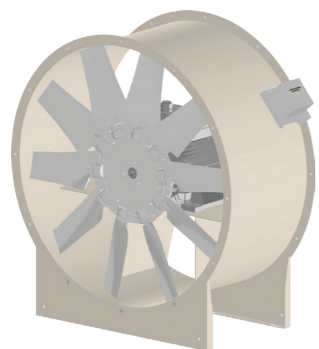
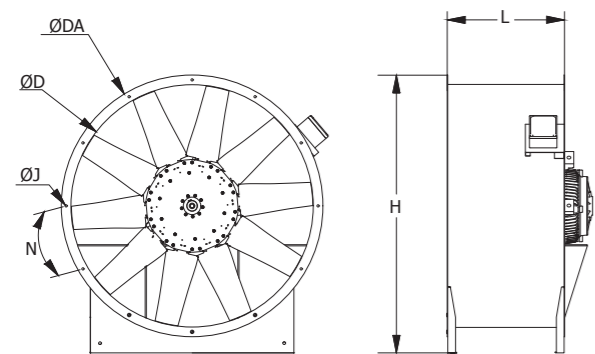
**TUBULAR AXIAL FANS**

# AKD SERIES



- \*Axial fan Series AKD, suitable for operating temperatures of up to 55°C .
- \*Impeller with adjustable pitch angle for maximum efficiency fibreglass-reinforced polyamide hub and blades.
- \*Aluminum impeller option is also available.
- \*Resistant to electrostatic powder coated corrosion.
- \*The motor is speed controllable by frequency converter.
- \*Efficiency class is IE3. Three-Phase 230/400V 50Hz.
- \*Usage; suitable for installation in ducts.Suitable for outdoor use.

*Technical details;*



| MODELS       | DIMENSIONS (mm) |      |     |      |    |          |
|--------------|-----------------|------|-----|------|----|----------|
|              | ØD              | ØDA  | L   | H    | ØJ | N        |
| AKD 35-2-4T  | 355             | 455  | 330 | 545  | 14 | 8x45°    |
| AKD 40-2-4T  | 400             | 500  | 330 | 590  | 14 | 8x45°    |
| AKD 45-2-4T  | 450             | 550  | 330 | 640  | 14 | 8x45°    |
| AKD 63-2-4T  | 630             | 730  | 500 | 820  | 14 | 12x30°   |
| AKD 71-2-4T  | 710             | 810  | 500 | 900  | 14 | 12x30°   |
| AKD 80-2-4T  | 800             | 900  | 500 | 990  | 14 | 12x30°   |
| AKD 90-2-4T  | 900             | 1000 | 600 | 1090 | 14 | 16x22,5° |
| AKD 100-2-4T | 1000            | 1100 | 600 | 1190 | 14 | 16x22,5° |
| AKD 112-2-4T | 1120            | 1220 | 600 | 1310 | 14 | 16x22,5° |
| AKD 125-2-4T | 1250            | 1350 | 600 | 1440 | 14 | 16x22,5° |

| MODEL           | PRODUCT CODE | Airflow (m³/h) | PWR (KW) | Sound (dBA) | Current (AMP) | Rotation (RPM) | VOLTAGE (V) | Weight (KG) |
|-----------------|--------------|----------------|----------|-------------|---------------|----------------|-------------|-------------|
| AKD 35-2T-0,37  | 11001        | 4906           | 0,37     | 83          | 1,05          | 2850           | 380         | 23          |
| AKD 35-2T-0,55  | 11002        | 6048           | 0,55     | 86          | 1,21          | 2780           | 380         | 24          |
| AKD 35-2T-0,75  | 11003        | 6810           | 0,75     | 89          | 1,60          | 2880           | 380         | 25          |
| AKD 35-2T-1,1   | 11004        | 7863           | 1,10     | 87          | 2,30          | 2900           | 380         | 25          |
| AKD 40-2T-1,1   | 11005        | 9767           | 1,10     | 92          | 2,30          | 2900           | 380         | 30          |
| AKD 40-2T-1,5   | 11006        | 10652          | 1,50     | 91          | 3,30          | 2900           | 380         | 33          |
| AKD 45-2T-1,5   | 11007        | 12432          | 1,50     | 92          | 3,30          | 2900           | 380         | 35          |
| AKD 45-2T-2,2   | 11008        | 15232          | 2,20     | 94          | 4,45          | 2900           | 380         | 40          |
| AKD 63-2T-1,5   | 11009        | 16464          | 1,50     | 101         | 3,30          | 2900           | 380         | 68          |
| AKD 63-2T-2,2   | 11010        | 20272          | 2,20     | 97          | 4,45          | 2900           | 380         | 68          |
| AKD 63-2T-3     | 11011        | 22512          | 3,00     | 96          | 5,80          | 2900           | 380         | 73          |
| AKD 63-2T-4     | 11012        | 25760          | 4,00     | 96          | 7,40          | 2920           | 380         | 78          |
| AKD 63-2T-5,5   | 11013        | 30128          | 5,50     | 97          | 9,70          | 2925           | 380         | 80          |
| AKD 63-2T-7,5   | 11014        | 34384          | 7,50     | 100         | 12,90         | 2930           | 380         | 83          |
| AKD 63-2T-7,5/H | 11015        | 29344          | 7,50     | 100         | 12,90         | 2930           | 380         | 83          |
| AKD 71-2T-5,5   | 11016        | 34944          | 5,50     | 99          | 9,70          | 2925           | 380         | 90          |
| AKD 71-2T-7,5   | 11017        | 41104          | 7,50     | 100         | 12,90         | 2930           | 380         | 94          |
| AKD 71-2T-11    | 11018        | 47824          | 11,00    | 101         | 19,00         | 2955           | 380         | 104         |
| AKD 71-2T-11/H  | 11019        | 38864          | 11,00    | 108         | 19,00         | 2955           | 380         | 104         |
| AKD 71-2T-15    | 11020        | 47488          | 15,00    | 104         | 25,70         | 2955           | 380         | 110         |
| AKD 80-2T-7,5   | 11021        | 44240          | 7,50     | 105         | 12,90         | 2930           | 380         | 100         |
| AKD 80-2T-11    | 11022        | 54320          | 11,00    | 106         | 19,00         | 2955           | 380         | 110         |
| AKD 80-2T-15    | 11023        | 51744          | 15,00    | 107         | 25,70         | 2955           | 380         | 115         |
| AKD 80-2T-18,5  | 11024        | 58800          | 18,50    | 109         | 31,40         | 2960           | 380         | 120         |
| AKD 80-2T-22    | 11025        | 64064          | 22,00    | 110         | 36,90         | 2960           | 380         | 153         |
| AKD 80-2T-22/H  | 11026        | 47936          | 22,00    | 110         | 36,90         | 2960           | 380         | 153         |
| AKD 63-4T-0,75  | 11027        | 15904          | 0,75     | 83          | 1,70          | 1445           | 380         | 55          |
| AKD 63-4T-1,1   | 11028        | 18144          | 1,10     | 84          | 2,60          | 1447           | 380         | 58          |
| AKD 63-4T-1,5   | 11029        | 18704          | 1,50     | 86          | 3,50          | 1449           | 380         | 60          |
| AKD 63-4T-2,2   | 11030        | 23184          | 2,20     | 90          | 4,90          | 1443           | 380         | 73          |
| AKD 71-4T-2,2   | 11031        | 26880          | 2,20     | 89          | 4,90          | 1443           | 380         | 79          |
| AKD 71-4T-3     | 11032        | 30576          | 3,00     | 90          | 6,20          | 1446           | 380         | 85          |
| AKD 71-4T-4     | 11033        | 34272          | 4,00     | 93          | 8,20          | 1452           | 380         | 90          |
| AKD 80-4T-3     | 11034        | 36064          | 3,00     | 92          | 6,20          | 1446           | 380         | 90          |
| AKD 80-4T-4     | 11035        | 40992          | 4,00     | 93          | 8,20          | 1452           | 380         | 95          |
| AKD 80-4T-5,5   | 11036        | 44128          | 5,50     | 96          | 10,60         | 1467           | 380         | 105         |
| AKD 80-4T-7,5   | 11037        | 46032          | 7,50     | 95          | 15,20         | 1467           | 380         | 130         |
| AKD 90-4T-3     | 11038        | 39424          | 3,00     | 97          | 6,60          | 1446           | 380         | 100         |
| AKD 90-4T-4     | 11039        | 46368          | 4,00     | 96          | 8,20          | 1452           | 380         | 105         |
| AKD 90-4T-5,5   | 11040        | 50064          | 5,50     | 96          | 11,20         | 1467           | 380         | 115         |
| AKD 90-4T-7,5   | 11041        | 57120          | 7,50     | 97          | 15,40         | 1467           | 380         | 140         |
| AKD 100-4T-4    | 11042        | 53872          | 4,00     | 98          | 8,20          | 1452           | 380         | 115         |
| AKD 100-4T-5,5  | 11043        | 52976          | 5,50     | 103         | 11,20         | 1467           | 380         | 120         |
| AKD 100-4T-7,5  | 11044        | 63504          | 7,50     | 102         | 15,40         | 1467           | 380         | 145         |
| AKD 100-4T-11   | 11045        | 75376          | 11,00    | 104         | 21,00         | 1470           | 380         | 192         |
| AKD 100-4T-11/H | 11046        | 61152          | 11,00    | 102         | 21,00         | 1470           | 380         | 192         |
| AKD 112-4T-5,5  | 11047        | 66528          | 5,50     | 100         | 11,20         | 1467           | 380         | 130         |
| AKD 112-4T-7,5  | 11048        | 75040          | 7,50     | 100         | 15,40         | 1467           | 380         | 150         |
| AKD 112-4T-11   | 11049        | 82320          | 11,00    | 102         | 21,00         | 1470           | 380         | 195         |
| AKD 112-4T-15   | 11050        | 89936          | 15,00    | 104         | 30,90         | 1477           | 380         | 205         |
| AKD 125-4T-11   | 11051        | 90944          | 11,00    | 108         | 21,00         | 1470           | 380         | 200         |
| AKD 125-4T-15   | 11052        | 105840         | 15,00    | 108         | 30,90         | 1477           | 380         | 210         |
| AKD 125-4T-15/H | 11053        | 83440          | 15,00    | 114         | 30,90         | 1477           | 380         | 210         |
| AKD 125-4T-18,5 | 11054        | 113120         | 18,50    | 107         | 39,50         | 1474           | 380         | 230         |
| AKD 125-4T-22   | 11055        | 124320         | 22,00    | 106         | 41,60         | 1485           | 380         | 250         |
| AKD 125-4T-22/H | 11056        | 102480         | 22,00    | 112         | 41,60         | 1485           | 380         | 250         |
| AKD 125-4T-30   | 11057        | 137760         | 30,00    | 109         | 54,80         | 1475           | 380         | 310         |
| AKD 125-4T-30/H | 11058        | 123200         | 30,00    | 112         | 54,80         | 1475           | 380         | 310         |
| AKD 125-4T-37   | 11059        | 138880         | 37,00    | 108         | 68,60         | 1475           | 380         | 340         |
| AKD 125-4T-37/H | 11060        | 119840         | 37,00    | 111         | 68,60         | 1475           | 380         | 340         |
| AKD 125-4T-45   | 11061        | 150080         | 45,00    | 109         | 80,00         | 1475           | 380         | 445         |
| AKD 125-4T-45/H | 11062        | 136640         | 45,00    | 111         | 67,00         | 1475           | 380         | 445         |
| AKD 125-4T-55   | 11063        | 168000         | 55,00    | 111         | 96,00         | 1480           | 380         | 540         |
| AKD 125-4T-55/H | 11064        | 153440         | 55,00    | 110         | 96,00         | 1480           | 380         | 540         |