

AXIAL TYPE OF SMOKE FAN

AIR AKD SERIES



*Axial fan Series AIR AKD, suitable for operating temperatures of up to 300 °C / 2 H . 400 °C / 2 H option is available.

*Impeller with adjustable pitch angle for maximum efficiency aluminum hub and blades.

*Resistant to electrostatic powder coated corrosion. Hot dip galvanized steel is available upon request.

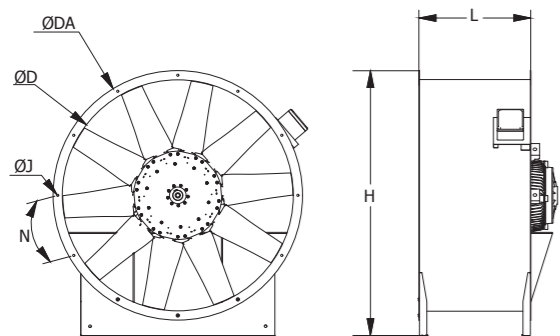
*The motor is speed controllable by frequency converter.

*All models H class motor three- phase 230/400V 50 Hz.

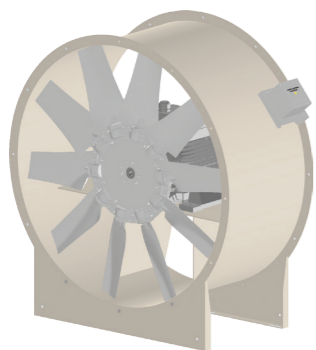
*Usage; suitable for installation in ducts.Suitable for outdoor use.



Technical details;



MODELS	DIMENSIONS (mm)					
	ØD	ØDA	L	H	ØJ	N
AIR AKD 35-2-4T	355	455	330	545	14	8x45°
AIR AKD 40-2-4T	400	500	330	590	14	8x45°
AIR AKD 45-2-4T	450	550	330	640	14	8x45°
AIR AKD 63-2-4T	630	730	500	820	14	12x30°
AIR AKD 71-2-4T	710	810	500	900	14	12x30°
AIR AKD 80-2-4T	800	900	500	990	14	12x30°
AIR AKD 90-2-4T	900	1000	600	1090	14	16x22,5°
AIR AKD 100-2-4T	1000	1100	600	1190	14	16x22,5°
AIR AKD 112-2-4T	1120	1220	600	1310	14	16x22,5°
AIR AKD 125-2-4T	1250	1350	600	1440	14	16x22,5°



MODEL	PRODUCT CODE	Airflow (m³/h)	PWR (KW)	Sound (dBA)	Current (AMP)	Rotation (RPM)	VOLTAGE (V)	Weight (KG)
AIR AKD 35-2T-0,75	33001	6855	0,75	94	1,70	2860	380	54
AIR AKD 35-2T-1,1	33002	7975	1,10	92	2,30	2880	380	56
AIR AKD 40-2T-1,1	33003	9901	1,10	97	2,30	2880	380	62
AIR AKD 40-2T-1,5	33004	10652	1,50	96	3,30	2880	380	66
AIR AKD 45-2T-1,5	33005	12432	1,50	97	3,30	2880	380	71
AIR AKD 45-2T-2,2	33006	15008	2,20	99	4,50	2870	380	74
AIR AKD 63-2T-1,5	33007	16352	1,50	107	3,30	2880	380	101
AIR AKD 63-2T-2,2	33008	20048	2,20	102	4,50	2870	380	104
AIR AKD 63-2T-3	33009	22400	3,00	101	5,90	2880	380	113
AIR AKD 63-2T-4	33010	26656	4,00	101	7,90	2880	380	121
AIR AKD 63-2T-5,5	33011	29904	5,50	102	10,30	2900	380	128
AIR AKD 63-2T-7,5	33012	35056	7,50	105	13,60	2910	380	134
AIR AKD 63-2T-7,5/H	33013	29232	7,50	105	13,60	2910	380	134
AIR AKD 71-2T-5,5	33014	34608	5,50	104	10,30	2900	380	144
AIR AKD 71-2T-7,5	33015	40768	7,50	105	13,60	2910	380	152
AIR AKD 71-2T-11	33016	48048	11,00	107	19,50	2945	380	202
AIR AKD 71-2T-11/H	33017	38976	11,00	113	19,50	2945	380	202
AIR AKD 71-2T-15	33018	47264	15,00	108	28,50	2945	380	210
AIR AKD 80-2T-15	33019	51520	15,00	112	28,50	2945	380	228
AIR AKD 80-2T-18,5	33020	58576	18,50	114	32,30	2950	380	260
AIR AKD 80-2T-22	33021	63840	22,00	114	38,30	2950	380	295
AIR AKD 80-2T-22/H	33022	47824	22,00	115	38,30	2950	380	300
AIR AKD 63-4T-1,5	33023	18704	1,50	91	3,50	1430	380	128
AIR AKD 63-4T-2,2	33024	23072	2,20	95	5,00	1435	380	134
AIR AKD 71-4T-2,2	33025	26768	3,00	94	6,60	1435	380	154
AIR AKD 71-4T-3	33026	30240	2,20	96	5,00	1435	380	162
AIR AKD 71-4T-4	33027	34272	4,00	98	8,40	1455	380	170
AIR AKD 80-4T-3	33028	36064	3,00	96	6,60	1435	380	182
AIR AKD 80-4T-4	33029	41104	4,00	103	8,40	1455	380	188
AIR AKD 80-4T-5,5	33030	44016	5,50	101	11,20	1465	380	200
AIR AKD 80-4T-7,5	33031	46032	7,50	100	15,40	1465	380	214
AIR AKD 90-4T-3	33032	39424	3,00	102	6,60	1435	380	212
AIR AKD 90-4T-4	33033	46480	4,00	101	8,40	1455	380	222
AIR AKD 90-4T-5,5	33034	49952	5,50	101	11,20	1465	380	229
AIR AKD 90-4T-7,5	33035	57008	7,50	102	15,40	1465	380	234
AIR AKD 100-4T-4	33036	53984	4,00	103	8,40	1455	380	228
AIR AKD 100-4T-5,5	33037	52976	5,50	108	11,20	1465	380	237
AIR AKD 100-4T-7,5	33038	63392	7,50	107	15,40	1465	380	259
AIR AKD 100-4T-11	33039	77840	11,00	107	21,30	1465	380	300
AIR AKD 100-4T-11/H	33040	60928	11,00	109	21,30	1465	380	300
AIR AKD 112-4T-5,5	33041	66416	5,50	105	11,20	1465	380	258
AIR AKD 112-4T-7,5	33042	74928	7,50	105	15,40	1465	380	262
AIR AKD 112-4T-11	33043	82096	11,00	107	21,30	1465	380	305
AIR AKD 112-4T-15	33044	89152	15,00	108	29,30	1470	380	335
AIR AKD 125-4T-11	33045	92176	11,00	114	21,30	1465	380	318
AIR AKD 125-4T-15	33046	106960	15,00	113	29,80	1465	380	345
AIR AKD 125-4T-15/H	33047	84448	15,00	119	29,80	1465	380	345
AIR AKD 125-4T-18,5	33048	115360	18,50	112	34,50	1470	380	395
AIR AKD 125-4T-22	33049	116480	22,00	112	42,50	1470	380	405
AIR AKD 125-4T-22/H	33050	101808	22,00	117	42,50	1470	380	405
AIR AKD 125-4T-30	33051	137760	30,00	114	55,00	1470	380	442
AIR AKD 125-4T-30/H	33052	122080	30,00	116	55,00	1470	380	447
AIR AKD 125-4T-37	33053	137760	37,00	113	67,00	1470	380	527
AIR AKD 125-4T-37/H	33054	118720	37,00	116	67,00	1470	380	535
AIR AKD 125-4T-45	33055	155680	45,00	114	80,00	1470	380	565
AIR AKD 125-4T-45/H	33056	140000	45,00	116	80,00	1470	380	570
AIR AKD 125-4T-55	33057	166880	55,00	116	96,80	1475	380	670
AIR AKD 125-4T-55/H	33058	152320	55,00	115	96,80	1475	380	680