

## AXIAL JET FAN

# AIR AJD SERIES



\* One-way or reversible fan unit including fan, silencers, and support. Approved for smoke extraction in accordance with standard EN 12101-3.

\* Adjustable impellers in cast aluminium.

\* Adjustable rotors made of cast aluminium and designed to produce great thrusts.

\* Three-phase 400V-50Hz.

\* Anti-contact protective grille pursuant to standard UNE-EN ISO 12499

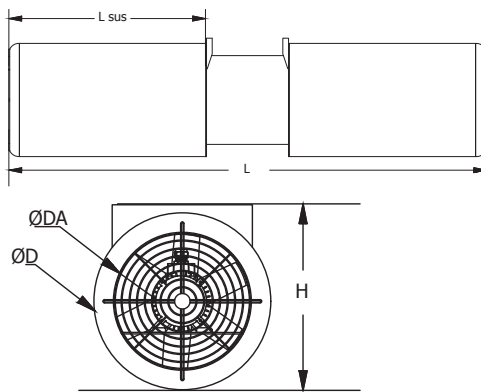
\* Two Speed and double air flow directions available.

\* High attenuation silencers with thermal and acoustic insulation.

\* Class H motors. S1 continuous operation and S2 emergency use, with ball bearings, IP55 protection and 2 speeds.

\* Maximum temperature of air to be carried: S1 continuous operation -20°C +40°C. S2 operation 300°C/2h.

### Technical details;



MODELS	DIMENSIONS (mm)				
	Lsus	ØD	ØDA	H	L
AIR AJD 31-2/4T	750	415	315	505	1830
AIR AJD 35-2/4T	750	455	355	545	1830
AIR AJD 40-2/4T	750	500	400	590	1830
AIR AJD 45-2/4T	750	550	450	640	1830
AIR AJD-R 31-2/4T	750	415	315	505	1830
AIR AJD-R 35-2/4T	750	455	355	545	1830
AIR AJD-R 40-2/4T	750	500	400	590	1830
AIR AJD-R 45-2/4T	750	550	450	640	1830

MODEL	PRODUCT CODE	Airflow (m³/h)	PWR (KW)	THRUST (N)	Current (AMP)	Rotation (RPM)	VOLTAGE (V)	Weight (KG)
AIR AJD 31-2/4T	71001	4.800/2.400	0,75/0,18	35 /9	1,8	2790	380	60
AIR AJD 35-2/4T	71002	7.200/3.600	1,3/0,33	58 /14	3,3	2860	380	65
AIR AJD 40-2/4T	71003	9.800/4.900	2/0,5	75 /18	4,5	2835	380	70
AIR AJD 45-2/4T	71004	12.800/6.400	2/0,5	87 /25	4,5	2835	380	75
AIR AJD-R 31-2/4T	71005	4.800/2.400	0,75/0,18	35 /9	1,8	2790	380	60
AIR AJD-R 35-2/4T	71006	7.200/3.600	1,3/0,33	58 /14	3,3	2860	380	65
AIR AJD-R 40-2/4T	71007	9.800/4.900	2/0,5	75 /18	4,5	2835	380	70
AIR AJD-R 45-2/4T	71008	12.800/6.400	2/0,5	87 /25	4,5	2835	380	75