

## AXIAL FANS WITH ACOUSTICALLY INSULATED BOX

# AHD SERIES



\*Impeller with adjustable pitch angle for maximum efficiency aluminum hub and blades. Aluminium anti-spark ring.

\*Resistant to electrostatic powder coated corrosion. Hot dip galvanized steel is available upon request.

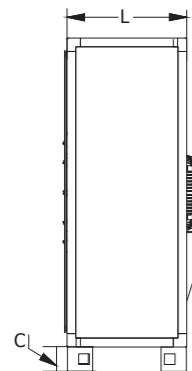
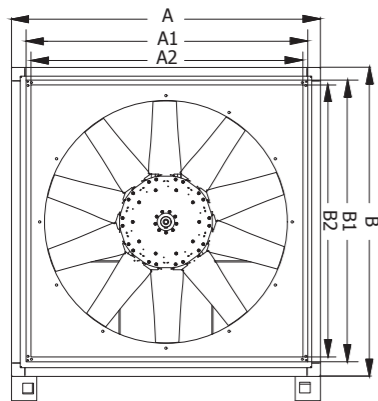
\* Cell panels are made of double-walled galvanized and are available in 5 cm and 10 cm thickness. Glass wool or stone wool options are available as insulation material in the panel.

\*The motor is speed controllable by frequency converter.

\* Efficiency class is IE2. IE3 option is also available.

\*Usage; suitable for installation in ducts. Suitable for outdoor use.

### Technical details;



MODELS	DIMENSIONS (mm)							
	A	A1	A2	B	B1	B2	L	C
AHD 35-2-4T	580	550	500	580	550	500	350	125
AHD 40-2-4T	630	600	550	630	600	550	400	125
AHD 45-2-4T	680	650	600	680	650	600	400	125
AHD 63-2-4T	880	850	800	880	850	800	550	125
AHD 71-2-4T	980	950	900	980	950	900	550	125
AHD 80-2-4T	1080	1050	1000	1080	1050	1000	550	125
AHD 90-2-4T	1280	1250	1200	1280	1250	1200	650	125
AHD 100-2-4T	1380	1350	1300	1380	1350	1300	650	125
AHD 112-2-4T	1480	1450	1400	1480	1450	1400	650	125
AHD 125-2-4T	1480	1450	1400	1480	1450	1400	650	125

MODEL	PRODUCT CODE	Airflow (m³/h)	PWR (KW)	Sound (dBA)	Current (AMP)	Rotation (RPM)	VOLTAGE (V)	Weight (KG)
AHD 35-2T-0,37	21001	4906	0,37	78	1,05	2850	380	63
AHD 35-2T-0,55	21002	6048	0,55	81	1,21	2780	380	64
AHD 35-2T-0,75	21003	6810	0,75	84	1,60	2880	380	65
AHD 35-2T-1,1	21004	7863	1,10	82	2,30	2900	380	65
AHD 40-2T-1,1	21005	9767	1,10	87	2,30	2900	380	70
AHD 71-2-4T	21006	10652	1,50	86	3,30	2900	380	72
AHD 45-2T-1,5	21007	12432	1,50	87	3,30	2900	380	80
AHD 45-2T-2,2	21008	15232	2,20	89	4,45	2900	380	80
AHD 63-2T-1,5	21009	16464	1,50	96	3,30	2900	380	158
AHD 63-2T-2,2	21010	20272	2,20	92	4,45	2900	380	158
AHD 63-2T-3	21011	22512	3,00	91	5,80	2900	380	162
AHD 63-2T-4	21012	25760	4,00	91	7,40	2920	380	167
AHD 63-2T-5,5	21013	30128	5,50	92	9,70	2925	380	170
AHD 63-2T-7,5	21014	34384	7,50	95	12,90	2930	380	173
AHD 63-2T-7,5/H	21015	29344	7,50	95	12,90	2930	380	173
AHD 71-2T-5,5	21016	34944	5,50	94	9,70	2925	380	180
AHD 71-2T-7,5	21017	41104	7,50	95	12,90	2930	380	184
AHD 71-2T-11	21018	47824	11,00	96	19,00	2955	380	194
AHD 71-2T-11/H	21019	38864	11,00	103	19,00	2955	380	194
AHD 71-2T-15	21020	47488	15,00	99	25,70	2955	380	200
AHD 80-2T-7,5	21021	44240	7,50	100	12,90	2930	380	215
AHD 80-2T-11	21022	54320	11,00	101	19,00	2955	380	225
AHD 80-2T-15	21023	51744	15,00	102	25,70	2955	380	230
AHD 80-2T-18,5	21024	58800	18,50	104	31,40	2960	380	235
AHD 80-2T-22	21025	64064	22,00	105	36,90	2960	380	258
AHD 80-2T-22/H	21026	47936	22,00	105	36,90	2960	380	258
AHD 63-4T-0,75	21027	15904	0,75	78	1,70	1445	380	125
AHD 63-4T-1,1	21028	18144	1,10	79	2,60	1447	380	128
AHD 63-4T-1,5	21029	18704	1,50	81	3,50	1449	380	130
AHD 63-4T-2,2	21030	23184	2,20	85	4,90	1443	380	143
AHD 71-4T-2,2	21031	26880	2,20	84	4,90	1443	380	192
AHD 71-4T-3	21032	30576	3,00	85	6,20	1446	380	197
AHD 71-4T-4	21033	34272	4,00	88	8,20	1452	380	197
AHD 80-4T-3	21034	36064	3,00	87	6,20	1446	380	212
AHD 80-4T-4	21035	40992	4,00	88	8,20	1452	380	217
AHD 80-4T-5,5	21036	44128	5,50	91	10,60	1467	380	227
AHD 80-4T-7,5	21037	46032	7,50	90	15,20	1467	380	245
AHD 90-4T-3	21038	39424	3,00	92	6,60	1446	380	235
AHD 90-4T-4	21039	46368	4,00	91	8,20	1452	380	240
AHD 90-4T-5,5	21040	50064	5,50	91	11,20	1467	380	255
AHD 90-4T-7,5	21041	57120	7,50	92	15,40	1467	380	275
AHD 100-4T-4	21042	53872	4,00	93	8,20	1452	380	270
AHD 100-4T-5,5	21043	52976	5,50	98	11,20	1467	380	282
AHD 100-4T-7,5	21044	63504	7,50	97	15,40	1467	380	323
AHD 100-4T-11	21045	75376	11,00	99	21,00	1470	380	350
AHD 100-4T-11/H	21046	61152	11,00	97	21,00	1470	380	350
AHD 112-4T-5,5	21047	66528	5,50	95	11,20	1467	380	291
AHD 112-4T-7,5	21048	75040	7,50	95	15,40	1467	380	310
AHD 112-4T-11	21049	82320	11,00	97	21,00	1470	380	340
AHD 112-4T-15	21050	89936	15,00	99	30,90	1477	380	350
AHD 125-4T-11	21051	90944	11,00	103	21,00	1470	380	385
AHD 125-4T-15	21052	105840	15,00	103	30,90	1477	380	395
AHD 125-4T-15/H	21053	83440	15,00	109	30,90	1477	380	395
AHD 125-4T-18,5	21054	113120	18,50	102	39,50	1474	380	415
AHD 125-4T-22	21055	124320	22,00	101	41,60	1485	380	430
AHD 125-4T-22/H	21056	102480	22,00	107	41,60	1485	380	430
AHD 125-4T-30	21057	137760	30,00	104	54,80	1475	380	490
AHD 125-4T-30/H	21058	123200	30,00	107	54,80	1475	380	490
AHD 125-4T-37	21059	138880	37,00	103	68,60	1475	380	520
AHD 125-4T-37/H	21060	119840	37,00	106	68,60	1475	380	520
AHD 125-4T-45	21061	150080	45,00	104	80,00	1475	380	625
AHD 125-4T-45/H	21062	136640	45,00	106	67,00	1475	380	625
AHD 125-4T-55	21063	168000	55,00	106	96,00	1480	380	715
AHD 125-4T-55/H	21064	153440	55,00	105	96,00	1480	380	715