

ROOF MOUNTED AXIAL EXTRACTOR FAN

ACD-Y SERIES



*Impeller with adjustable pitch angle for maximum efficiency fibreglass-reinforced polyamide hub and blades. Aluminum impeller option is also available.

*Resistant to electrostatic powder coated corrosion. Hot dip galvanized steel is available upon request.

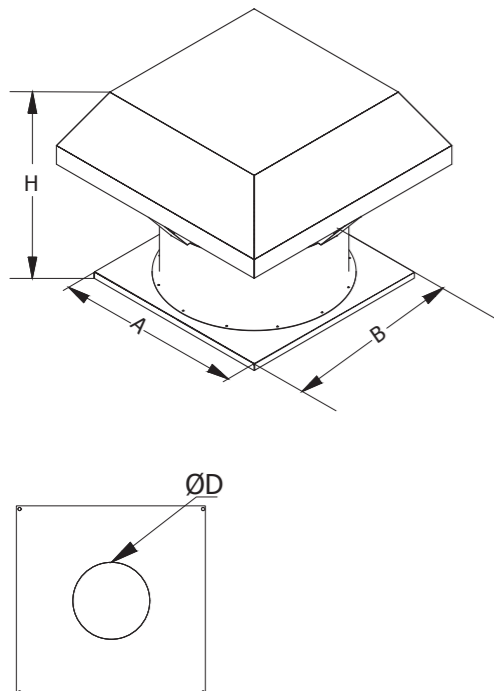
*Bird control grille.

*The motor is speed controllable by frequency converter.

*Efficiency class is IE3. Three- Phase 230/400V 50Hz.

*Usage; suitable for installation in ducts. Suitable for outdoor use.

Technical details;



MODELS	DIMENSIONS (mm)			
	A	B	ØD	H
ACD-Y 35-2-4T	500	500	355	500
ACD-Y 40-2-4T	550	550	400	500
ACD-Y 45-2-4T	600	600	450	600
ACD-Y 63-2-4T	800	800	630	700
ACD-Y 71-2-4T	900	900	710	700
ACD-Y 80-2-4T	1000	1000	800	700
ACD-Y 90-2-4T	1100	1100	900	800
ACD-Y 100-2-4T	1200	1200	1000	800
ACD-Y 112-2-4T	1400	1400	1120	800
ACD-Y 125-2-4T	1450	1450	1250	800

MODEL	PRODUCT CODE	Airflow (m³/h)	PWR (KW)	Sound (dBA)	Current (AMP)	Rotation (RPM)	VOLTAGE (V)	Weight (KG)
ACD-Y 35-2T-0,37	32001	4906	0,37	88	1,05	2850	380	48
ACD-Y 35-2T-0,55	32002	6048	0,55	91	1,21	2780	380	49
ACD-Y 35-2T-0,75	32003	6810	0,75	94	1,60	2880	380	50
ACD-Y 35-2T-1,1	32004	7863	1,10	92	2,30	2900	380	50
ACD-Y 40-2T-1,1	32005	9767	1,10	97	2,30	2900	380	57
ACD-Y 71-2-4T	32006	10652	1,50	96	3,30	2900	380	58
ACD-Y 45-2T-1,5	32007	12432	1,50	97	3,30	2900	380	66
ACD-Y 45-2T-2,2	32008	15232	2,20	99	4,45	2900	380	72
ACD-Y 63-2T-1,5	32009	16464	1,50	106	3,30	2900	380	114
ACD-Y 63-2T-2,2	32010	20272	2,20	102	4,45	2900	380	114
ACD-Y 63-2T-3	32011	22512	3,00	101	5,80	2900	380	119
ACD-Y 63-2T-4	32012	25760	4,00	101	7,40	2920	380	125
ACD-Y 63-2T-5,5	32013	30128	5,50	102	9,70	2925	380	127
ACD-Y 63-2T-7,5	32014	34384	7,50	105	12,90	2930	380	130
ACD-Y 63-2T-7,5/H	32015	29344	7,50	105	12,90	2930	380	130
ACD-Y 71-2T-5,5	32016	34944	5,50	104	9,70	2925	380	150
ACD-Y 71-2T-7,5	32017	41104	7,50	105	12,90	2930	380	154
ACD-Y 71-2T-11	32018	47824	11,00	106	19,00	2955	380	164
ACD-Y 71-2T-11/H	32019	38864	11,00	113	19,00	2955	380	164
ACD-Y 71-2T-15	32020	47488	15,00	109	25,70	2955	380	170
ACD-Y 80-2T-7,5	32021	44240	7,50	110	12,90	2930	380	170
ACD-Y 80-2T-11	32022	54320	11,00	111	19,00	2955	380	180
ACD-Y 80-2T-15	32023	51744	15,00	112	25,70	2955	380	185
ACD-Y 80-2T-18,5	32024	58800	18,50	114	31,40	2960	380	190
ACD-Y 80-2T-22	32025	64064	22,00	115	36,90	2960	380	223
ACD-Y 80-2T-22/H	32026	47936	22,00	115	36,90	2960	380	223
ACD-Y 63-4T-0,75	32027	15904	0,75	88	1,70	1445	380	102
ACD-Y 63-4T-1,1	32028	18144	1,10	89	2,60	1447	380	105
ACD-Y 63-4T-1,5	32029	18704	1,50	91	3,50	1449	380	107
ACD-Y 63-4T-2,2	32030	23184	2,20	95	4,90	1443	380	110
ACD-Y 71-4T-2,2	32031	26880	2,20	94	4,90	1443	380	140
ACD-Y 71-4T-3	32032	30576	3,00	95	6,20	1446	380	146
ACD-Y 71-4T-4	32033	34272	4,00	98	8,20	1452	380	152
ACD-Y 80-4T-3	32034	36064	3,00	97	6,20	1446	380	160
ACD-Y 80-4T-4	32035	40992	4,00	98	8,20	1452	380	165
ACD-Y 80-4T-5,5	32036	44128	5,50	101	10,60	1467	380	175
ACD-Y 80-4T-7,5	32037	46032	7,50	100	15,20	1467	380	190
ACD-Y 90-4T-3	32038	39424	3,00	102	6,60	1446	380	184
ACD-Y 90-4T-4	32039	46368	4,00	101	8,20	1452	380	189
ACD-Y 90-4T-5,5	32040	50064	5,50	101	11,20	1467	380	199
ACD-Y 90-4T-7,5	32041	57120	7,50	102	15,40	1467	380	224
ACD-Y 100-4T-4	32042	53872	4,00	103	8,20	1452	380	210
ACD-Y 100-4T-5,5	32043	52976	5,50	108	11,20	1467	380	215
ACD-Y 100-4T-7,5	32044	63504	7,50	107	15,40	1467	380	240
ACD-Y 100-4T-11	32045	75376	11,00	109	21,00	1470	380	273
ACD-Y 100-4T-11/H	32046	61152	11,00	107	21,00	1470	380	273
ACD-Y 112-4T-5,5	32047	66528	5,50	105	11,20	1467	380	240
ACD-Y 112-4T-7,5	32048	75040	7,50	105	15,40	1467	380	260
ACD-Y 112-4T-11	32049	82320	11,00	107	21,00	1470	380	305
ACD-Y 112-4T-15	32050	89936	15,00	109	30,90	1477	380	315
ACD-Y 125-4T-11	32051	90944	11,00	113	21,00	1470	380	322
ACD-Y 125-4T-15	32052	105840	15,00	113	30,90	1477	380	335
ACD-Y 125-4T-15/H	32053	83440	15,00	119	30,90	1477	380	335
ACD-Y 125-4T-18,5	32054	113120	18,50	112	39,50	1474	380	355
ACD-Y 125-4T-22	32055	124320	22,00	111	41,60	1485	380	375
ACD-Y 125-4T-22/H	32056	102480	22,00	117	41,60	1485	380	375
ACD-Y 125-4T-30	32057	137760	30,00	114	54,80	1475	380	435
ACD-Y 125-4T-30/H	32058	123200	30,00	117	54,80	1475	380	435
ACD-Y 125-4T-37	32059	138880	37,00	113	68,60	1475	380	465
ACD-Y 125-4T-37/H	32060	119840	37,00	116	68,60	1475	380	465
ACD-Y 125-4T-45	32061	150080	45,00	114	80,00	1475	380	570
ACD-Y 125-4T-45/H	32062	136640	45,00	116	67,00	1475	380	570
ACD-Y 125-4T-55	32063	168000	55,00	116	96,00	1480	380	665
ACD-Y 125-4T-55/H	32064	153440	55,00	115	96,00	1480	380	665