




# INDEX








## INDUSTRIAL FANS

### Wall Type Axial Fans

	<b>AWD Series</b> Wall Type Axial Fans	Sayfa   4
---	---	-----------


## INDUSTRIAL FANS

### Duct Type Fans

	<b>TT Series</b> Mixed Flow Duct Type Fan	Sayfa   6
	<b>WK Series</b> Duct Type Radial Fan	Sayfa   7
	<b>VKPF Series</b> Rectangular Radial Fan	Sayfa   8
	<b>RHD-S Series</b> ShelterFresh Air Fan	Sayfa   9
	<b>RKD Series</b> Engine Outside Airflow Prismatic Duct Type Fan	Sayfa   10
	<b>RHD Series</b> Hücreli Tip Radyal Fan	Sayfa   11
	<b>AKD Series</b> Duct Type Axial Fan	Sayfa   26

## ENDÜSTRİYEL FANLAR



### Roof Type Fans

	<b>VKH EC Series</b> Roof Type Radial Fan	Sayfa   12
---	--	------------

	<b>VKH Series</b> Roof Type Radial Fan	Sayfa   13
	<b>RCD-Y Series</b> Horizontal Throw Roof Type Radial Fan	Sayfa   14
	<b>RCD-D Series</b> Vertical Throw Roof Type Radial Fan	Sayfa   15
	<b>ACD-Y Series</b> Horizontal Throw Roof Type Axial Fan	Sayfa   18




## INDUSTRIAL FANS

### Cell Type Fans

	<b>AHD Series</b> Cell Type Axial Fan	Sayfa   16
	<b>AIR AKD-H Series</b> Cell Type Smoke Evacuation Fan	Sayfa   28

## INDUSTRIAL FANS





### Exproof Fans

	<b>AIR HC - ATEX Series</b> Wall Type Exproof Fan	Sayfa   20
	<b>AIR HCT - ATEX Series</b> Axial Sleeve Type Exproof Fan	Sayfa   22
	<b>AIR HCT R - ATEX Series</b> Roof Type Axial Exproof Fan	Sayfa   24

# INDEX



## INDUSTRIAL FANS

### Smoke Extract Fans

	<b>AIR - AKD Series</b> Axial Type Smoke Evacuation Fan	Sayfa   21
	<b>AIR - AKD W Series</b> Wall Type Smoke Evacuation Fan	Sayfa   24
	<b>AIR - AKD R Series</b> Roof Type Smoke Evacuation Fan	Sayfa   26
	<b>AKD HP Series</b>	Sayfa   29

## INDUSTRIAL FANS

### Jet Fans

	<b>AIR AJD Series</b> Axial Type Jet Fan	Sayfa   41
	<b>AIR CI Series</b> Radial Type Jet Fan	Sayfa   42

## INDUSTRIAL FANS

### Accessories

<b>Accessories</b>	Sayfa   43
--------------------	------------

## INDUSTRIAL FANS

### System Control Panel and Automation Systems

<b>System Control Panel and Automation Systems</b>	Sayfa   45
--	------------

## INDUSTRIAL FANS

### CFD Smoke Propagation Analysis

<b>CFD Smoke Propagation Analysis</b>	Sayfa   46
---------------------------------------	------------

## INDUSTRIAL FANS

### Electrical Connection Diagrams

<b>Electrical Connection Diagrams</b>	Sayfa   47
---------------------------------------	------------



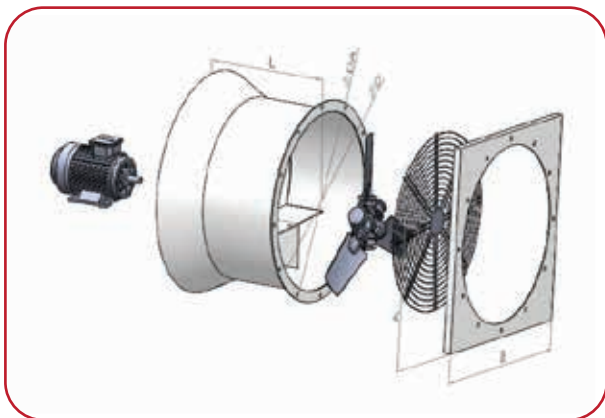
Wall Type Axial Fan



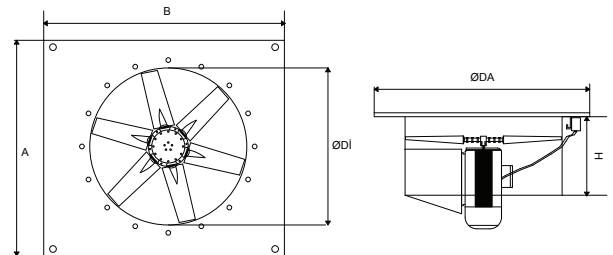
## AWD Series

### Wall Type Axial Fan

- \*Sheet metal support base.
- \*Adjustable impellers in fibreglass-reinforced polyamide-6 and AL version impellers in cast aluminium.
- \*Anti-contact protective grille pursuant to standard UNE-EN ISO 12499.
- \*Three-phase 230/400V-50Hz.
- \*Suitable to run with frequency inverter.
- \*Two Speed and double air flow directions available.
- \*Class F motors with ball bearings. IP55 protection.
- \*Operating temperature: -25°C +60°C



MODEL	ØD	DIMENSIONS (mm)		
		A	B	H
AWD 31-2-4T	315	500	500	300
AWD 35-2-4T	355	500	500	300
AWD 40-2-4T	400	550	550	300
AWD 45-2-4T	450	600	600	300
AWD 50-2-4T	500	700	700	300
AWD 63-2-4T	630	800	800	350
AWD 71-2-4T	710	900	900	350
AWD 80-2-4T	800	1000	1000	450
AWD 90-2-4T	900	1100	1100	450
AWD 100-2-4T	1000	1200	1200	550
AWD 112-2-4T	1120	1400	1400	550
AWD 125-2-4T	1250	1450	1450	550





## Wall Type Axial Fan

MODEL	AIRFLOW	POWER	ROTATION
	M <sup>3</sup> /H	KW	RPM
AWD 35-4T-0,18	3949	0,18	1450
AWD 40-4T-0,25	5687	0,25	1450
AWD 40-4T-0,37	6424	0,37	1450
AWD 45-4T-0,18	6314	0,18	1450
AWD 45-4T-0,25	6930	0,25	1450
AWD 45-4T-0,37	7964	0,37	1450
AWD 45-4T-0,55	9141	0,55	1450
AWD 50-4T-0,25	8030	0,25	1450
AWD 50-4T-0,37	8921	0,37	1450
AWD 50-4T-0,55	10296	0,55	1450
AWD 50-4T-0,75	11000	0,75	1450
AWD 63-4T-0,75	13750	0,75	1450
AWD 63-4T-1,1	17930	1,10	1450
AWD 63-4T-1,5	18700	1,50	1450
AWD 63-4T-2,2	21010	2,20	1450
AWD 63-4T-3	25080	3,00	1450
AWD 71-4T-3	30030	3,00	1450
AWD 71-4T-4	33770	4,00	1450
AWD 71-4T-5,5	36520	5,50	1450
AWD 80-4T-3	33770	3,00	1450
AWD 80-4T-4	38390	4,00	1450
AWD 80-4T-5,5	44440	5,50	1450
AWD 80-4T-7,5	44990	7,50	1450
AWD 90-4T-3	42350	3,00	1450
AWD 90-4T-4	43670	4,00	1450
AWD 90-4T-5,5	50380	5,50	1450
AWD 90-4T-7,5	57750	7,50	1450
AWD 90-4T-7,5/H	44330	7,50	1450
AWD 90-4T-11	66990	11,00	1450
AWD 90-4T-11/H	60610	11,00	1450
AWD 100-4T-4	45210	4,00	1450
AWD 100-4T-5,5	60500	5,50	1450
AWD 100-4T-7,5	60830	7,50	1450
AWD 100-4T-7,5/H	50160	7,50	1450
AWD 100-4T-11	68970	11,00	1450
AWD 100-4T-11/H	64460	11,00	1450
AWD 100-4T-15	82830	15,00	1450
AWD 112-4T-5,5	61710	5,50	1450
AWD 112-4T-7,5	75680	7,50	1450
AWD 112-4T-11	87890	11,00	1450
AWD 112-4T-15	89980	15,00	1450
AWD 112-4T-15/H	76890	15,00	1450
AWD 112-4T-18,5	102960	18,50	1450
AWD 125-4T-11	90310	11,00	1450
AWD 125-4T-15	104720	15,00	1450
AWD 125-4T-15/H	82720	15,00	1450
AWD 125-4T-18,5	115500	18,50	1450
AWD 125-4T-18,5/H	96580	18,50	1450
AWD 125-4T-22	123200	22,00	1450
AWD 125-4T-22/H	105820	22,00	1450
AWD 125-4T-30	138600	30,00	1450
AWD 125-4T-30/H	125400	30,00	1450
AWD 125-4T-37	140800	37,00	1450
AWD 125-4T-37/H	126500	37,00	1450
AWD 125-4T-45	155100	45,00	1450
AWD 125-4T-55	169400	55,00	1450
AWD 125-4T-55/H	135300	55,00	1450

Mixed Flow Fan



## TT Series

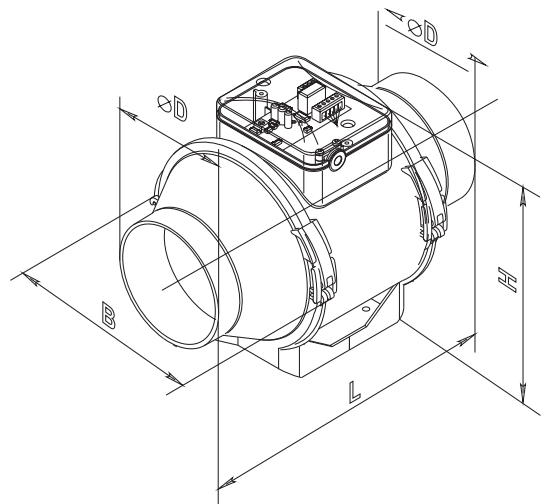
### Mixed Flow Fan

- \*Fan casing made of low flammable polypropylene
- \*The hemispheric impeller shape and specially profiled blades increase the air flow circular velocity and provide higher pressure and capacity
- \*Easy mounting to air duct
- \*All series are equipped with a single phase motor and are available in single or two speed modifications
- \*Suitable to run with speed controller.
- \*Low sound levels.
- \*Operating temperature: -25°C +60°C



MODEL	AIRFLOW M <sup>3</sup> /H	PWR (Watt)	SOUND (dBA)	CRR (AMP)	TRANS (DK)
TT 100	190	0,033	36/27	0,21	2500
TT PRO 100	245	0,025	32/27	0,11	2500
TT 125	280	0,037	37/28	0,27	2500
TT PRO 125	350	0,03	34/28	0,13	2500
TT 150	550	0,03	44/33	0,27	2500
TT PRO 200	1040	0,108	52/45	0,48	2500
TT PRO 250	1400	0,117	55/47	0,79	2500
TT PRO 315	2350	0,32	58/49	1,42	2500

	DIMENSIONS (mm)				WEIGHT
	D	B	H	L	KG
TT 100	96	167	190	246	1,4
TT PRO 100	97	195,8	226	303	1,54
TT 125	123	167	190	246	1,4
TT PRO 125	123	195,6	226	286	1,51
TT 150	146	223	250	295	3
TT PRO 200	199	239	261	296	6,4
TT PRO 250	247	287	323	383	8,3
TT PRO 315	310	362	408	445	11,4



*Duct Type Radial Fan*



## WK Series

### Duct Type Radial Fan

- \*Galvanized Sheet metal support base.
- \*The Galvanized steel casing provides reliable operation in case of outdoor installation
- \*The impeller with backward curved blades is powered by the single phase motor with external rotor and overheating protection with automatic restart
- \*All series are single phase motor 230 v
- \*Suitable to run with speed controller.
- \*Mounting to wall or ceiling at any angle is performed with fastening brackets supplied with the unit.
- \*Operating temperature: -25°C +60°C



MODEL	AIRFLOW M <sup>3</sup> /H	PWR (Watt)	SOUND (dBA)	CURRENT (AMP)	TRANS (DK)
WK 100	400	33	60	0,27	2500
WK 125	450	25	61	0,27	2500
WK 150	530	37	62	0,27	2500
WK 200	1200	60	70	0,52	2500
WK 250	1600	108	72	0,7	2500
WK 315	2200	177	73	0,7	2500

	DIMENSIONS (mm)						WEIGHT KG
	ØA	B	C	D	E	F	
WK 100	98	96	243	18	192	22	2,46
WK 125	124	120	243	19	189	18	2,47
WK 150	148	129	270	20	185	27	2,63
WK 200	198	160	344	20	240	25	4,41
WK 250	248	175	344	22	245	25	5
WK 315	315	190	401	23	280	34	5,86



Rectangular Duct Type Radial Fan

# VKPF Series

## Rectangular Duct Type Radial Fan

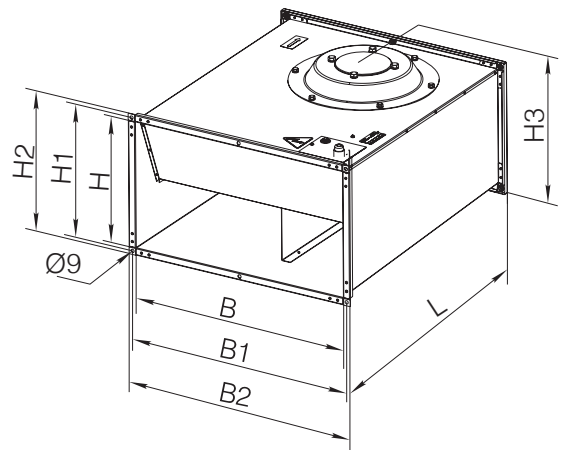


- \*Fan casing is made of galvanized steel
- \*Impellers with backward curved impeller blades made of galvanized steel are powered by means of the 2-or 4-pole asynchronous motors with external rotor.
- \*Each impeller is dynamically balanced while assembly.
- Motor protection rating IP 44
- \*Optional Single phase 230 V/50 hz and Three-phase 230/400V-50Hz.
- \*suitable to run with speed controller.
- \* Fans can be mounted in any position with respect to the airflow



MODEL	AIRFLOW M <sup>3</sup> /H	VOLTAGE (HZ)	CURRENT (AMP)	PWR (KW)	SOUND (dBA)
VKPF 4E 400X200	600	220/230 V 50 Hz	0,27	60	65
VKPF 4E 425X225	1100	220/230 V 50 Hz	0,6	135	70
VKPF 4E 450X250	1500	220/230 V 50 Hz	1,05	230	72
VKPF 4E 480X240	1800	220/230 V 50 Hz	1,1	230	79
VKPF 4E 560*340	2500	220/230 V 50 Hz	1	210	63
VKPF 4E 600*420	4200	220/230 V 50 Hz	1,5	430	66
VKPF 4E 655*500	6400	220/230 V 50 Hz	3,5	800	79
VKPF 4D 760*630	9500	380/400 V 50 Hz	2,6	1,5 kW	80
VKPF 4D 820*690	12000	380/400 V 50 Hz	3,47	2 kW	72

	DIMENSIONS (mm)				
	B	B2	H	H2	H
VKPF 4E 400X200	390	450	200	260	520
VKPF 4E 425X225	425	485	225	285	560
VKPF 4E 450X250	450	510	230	290	585
VKPF 4E 480X240	480	540	240	300	615
VKPF 4E 560*340	560	620	340	400	690
VKPF 4E 600*420	600	660	420	480	780
VKPF 4E 655*500	655	715	500	560	840
VKPF 4D 760*630	760	820	630	690	890
VKPF 4D 820*690	820	860	690	750	940





*Duct Type Radial Fan With Air Filters*



## RHD-S Series

### Duct Type Radial Fan With Air Filters

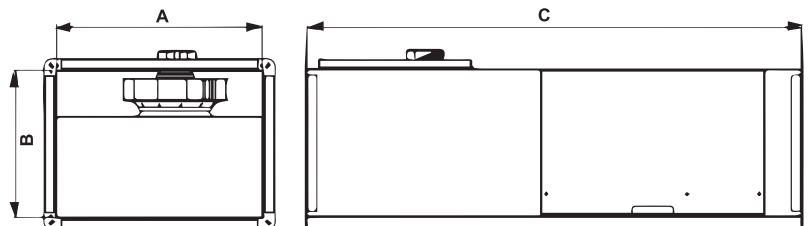
- \*Fan casing is made of galvanized steel
- \*Impellers with backward curved impeller blades made of galvanized steel are powered by means of the 2-or 4-pole asynchronous motors with external rotor.
- \*Each impeller is dynamically balanced while assembly.
- Motor protection rating IP 44
- \*Optional Single phase 230 V/50 hz and Three-phase 230/400V-50Hz.
- \*Activated carbon, hepa G4 filters included.
- \*Fans can be mounted in any position with respect to the airflow



MODEL	AIRFLOW M <sup>3</sup> /H	VOLTAGE (HZ)	CURRENT (AMP)	PWR (KW)	SOUND (dBA)
RHD-S 1*1	550	220/230 V 50 Hz	0,27	60	65
RHD-S 2*1	1050	220/230 V 50 Hz	0,6	135	70
RHD-S 2*2	1400	220/230 V 50 Hz	1,05	230	72
RHD-S 2*3	1750	220/230 V 50 Hz	1,1	230	79
RHD-S 3*1	2400	220/230 V 50 Hz	1	210	63
RHD-S 4*1	4000	220/230 V 50 Hz	1,5	430	66
RHD-S 4*2	5700	220/230 V 50 Hz	3,5	800	79
RHD-S 5*1	9200	380/400 V 50 Hz	2,6	1500	80
RHD-S 5*2	11800	380/400 V 50 Hz	3,47	2000	72
RHD-S 6*1	18600	380/400 V 50 Hz	5,5	3000	86



	DIMENSIONS (mm)		
	A	B	C
RHD-S 1*1	390	200	950
RHD-S 2*1	425	225	950
RHD-S 2*2	450	230	1000
RHD-S 2*3	480	240	1000
RHD-S 3*1	560	340	1100
RHD-S 4*1	600	420	1200
RHD-S 4*2	655	500	1300
RHD-S 5*1	700	630	1300
RHD-S 5*2	760	660	1350
RHD-S 6*1	830	690	1400



## Ractangular Duct Fan

# RKD Series

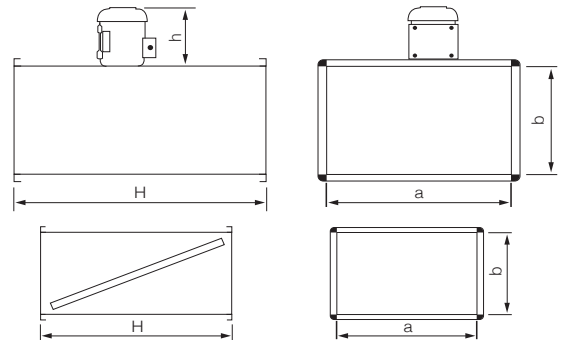
## Ractangular Duct Fan



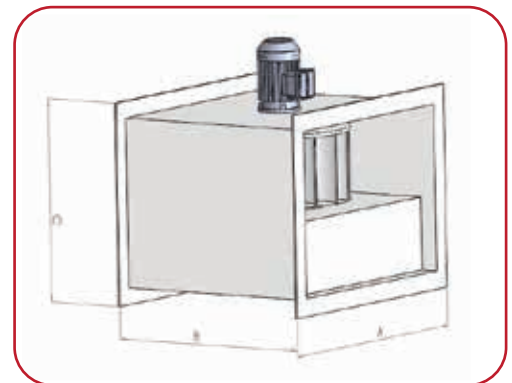
- \*High quality sheet metal support case
- \*Impellers with backward curved impeller blades made of galvanized steel are powered by means of the 2- or 4-pole asynchronous motors with external rotor.
- \*Each impeller is dynamically balanced while assembly.
- \*Motor is out from the air stream, protection rating IP 44
- \*Suitable for kitchen exhaust and supported 120C temperature continuously.
- \*Optional Single phase 230 V/50 hz and Three-phase 230/400V-50Hz.
- \*Suitable to run with speed controller.



MODEL	AIRFLOW M <sup>3</sup> /H	PWR (KW)	SOUND (dBA)	TRANS (DK)
RKD 32-4T-0,55	3000	0,55	60	1450
RKD 40-4T-0,75	5000	0,75	61	1450
RKD 45-4T-1,5	8000	1,5	62	1450
RKD 50-4T-2,2	10000	2,2	70	1450
RKD 55-4T-3	14000	3	72	1450
RKD 63-4T-4	18000	4	73	1450
RKD 71-4T-11	26000	11	73	1450



	DIMENSIONS (mm)				FILTER SIZER/mm		
	A	B	L	H	A	B	H
RKD 31B/2/4/6	600	400	600	270	600	400	400
RKD 35B/2/4/6	600	400	600	300	600	400	400
RKD 40B/2/4/6	600	400	600	325	600	400	400
RKD 45B/2/4/6	800	500	800	340	800	500	400
RKD 50B/2/4/6	900	600	840	375	900	600	600
RKD 56B/2/4/6	900	600	840	390	900	600	600
RKD 63B/2/4/6	900	600	840	430	900	600	600
RKD 71B/2/4/6	1200	800	840	380	1200	800	600



## Cell Type Radial Fan



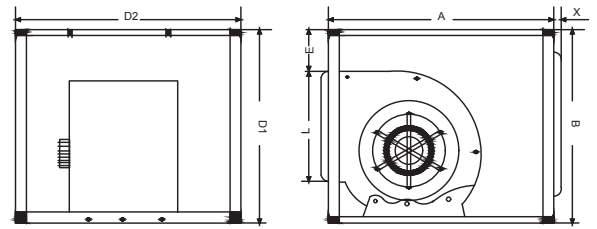
# RHD Series

## Cell Type Radial Fan

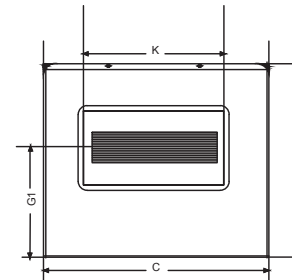
- \*Single inlet galvanized steel fan casing
- \*Impeller with forward-curved blades made of galvanised sheet steel.
- \*Linear airflow direction, Support feet built into the box. for easy installation.
- \*Standart three speed motor adjustable speed and capacity.
- \*Suitable to run with speed controller.
- \*All model single phase 230 V
- \*Motor protection IP 44



MODEL	AIRFLOW M <sup>3</sup> /H	VOLTAGE (HZ)	CURRENT (AMP)	PWR (KW)	SOUND (dBA)
RHD 7 - 7	1320	220/230 V 50 Hz	1,4	150	74
RHD 9 - 7	3000	220/230 V 50 Hz	4	375	76
RHD 9 - 9	3500	220/230 V 50 Hz	5	450	81
RHD 10 - 10	4200	220/230 V 50 Hz	4,9	550	67
RHD 12 - 12	5600	220/230 V 50 Hz	5,9	750	76



MODEL	DIMENSIONS (mm)									
	K	L	A	B	C	X	D1	D2	E	G1
RHD 7 - 7	232	210	500	550	600	30	470	520	110	275
RHD 9 - 7	232	262	550	550	600	30	470	520	123	319
RHD 9 - 9	300	262	600	550	600	30	470	520	123	319
RHD 10 - 10	331	291	650	620	650	30	540	570	136	359
RHD 12 - 12	395	341	700	700	720	30	620	640	139	414



## Roof Type Radial Fan

# VKH EC Series

## Roof Type Radial Fan



- \*Galvanised sheet steel support base
- \*Horizontal air outlet and aluminium rain cap
- \*Backward-curved impeller. made of galvanised sheet steel.
- \*The fans are rated for exhaust ventilation and air conditioning systems for various premises that require reasonable energy saving solutions and controlled ventilation systems
- \*with EC motors, provides significant savings in electricity consumption
- \*Bird control grille.
- \*Single-phase 230V-50Hz.
- \*These components are replaced by a maintenance-free electronic circuit board. EC motors are featured with high performance and well controllable speed range. Premium efficiency reaching 90 % is a definite advantage of electronically commutated motors.
- \*Entegrated pressure differentiated sensor provides automatic speed controller.

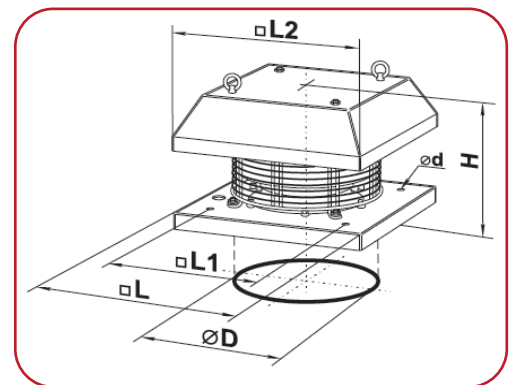


VKH & VKH EC DIMENSIONS (mm)

MODEL	ØD	Ød	H	L	L1	L2
VKH EC 190	125	10	250	450	400	500
VKH EC 225	146	10	280	450	400	500
VKH EC 250	162	10	280	500	450	550
VKH EC 280	182	10	300	500	450	550
VKH EC 355	239	10	320	540	490	590
VKH EC 400	256	10	370	560	510	610
VKH EC 450	288	10	400	620	570	670
VKH EC 500	324	10	480	670	620	720
VKH EC 560	388	10	480	700	650	750
VKH EC 630	435	10	520	750	700	800

AIRFLOW VOLTAGE CURRENT PWR SOUND

MODEL	M <sup>3</sup> /H	(HZ)	(AMP)	(KW)	(dBA)
VKH EC 190	600	220/230 V 50 Hz	0,27	60	65
VKH EC 225	1100	220/230 V 50 Hz	0,6	135	70
VKH EC 250	1500	220/230 V 50 Hz	1,05	230	72
VKH EC 280	1800	220/230 V 50 Hz	1,1	230	79
VKH EC 355	3000	220/230 V 50 Hz	1	210	63
VKH EC 400	4800	220/230 V 50 Hz	1,5	430	66
VKH EC 450	6000	220/230 V 50 Hz	3,5	800	79



Roof Type Radial Fan

## VKH Series

### Roof Type Radial Fan



- \* Galvanised sheet steel support base
- \* Horizontal air outlet and aluminium rain cap
- \* Backward-curved impeller. made of galvanised sheet steel.
- \* Maximum temperature of air to be carried: -25°C +60°C
- \* Bird control grille..
- \* Single-phase 230V-50Hz.
- \* Suitable to run with speed controller.
- \* Class F motors with ball bearings and IP55 protection .



VKH & VKH EC DIMENSIONS (mm)

MODEL	ØD	Ød	H	L	L1	L2
VKH 190	125	10	250	450	400	500
VKH 225	146	10	280	450	400	500
VKH 250	162	10	280	500	450	550
VKH 280	182	10	300	500	450	550
VKH 355	239	10	320	540	490	590
VKH 400	256	10	370	560	510	610
VKH 450	288	10	400	620	570	670
VKH 500	324	10	480	670	620	720
VKH 560	388	10	480	700	650	750
VKH 630	435	10	520	750	700	800

MODEL	AIRFLOW M <sup>3</sup> /H	VOLTAGE (HZ)	CURRENT (AMP)	PWR (KW)	SOUND (dBA)
VKH 190	600	220/230 V 50 Hz	0,27	60	65
VKH 225	1100	220/230 V 50 Hz	0,6	135	70
VKH 250	1500	220/230 V 50 Hz	1,05	230	72
VKH 280	1800	220/230 V 50 Hz	1,1	230	79
VKH 355	3000	220/230 V 50 Hz	1	210	63
VKH 400	4800	220/230 V 50 Hz	1,5	430	66
VKH 450	6000	220/230 V 50 Hz	3,5	800	79
VKH 500	9500	380/400 V 50 Hz	2,6	1500	80
VKH 560	12500	380/400 V 50 Hz	3,47	2000	72
VKH 630	19000	380/400 V 50 Hz	5,5	3000	86

